



SERVICE MANUAL Gfp 563 TH



October 2013

Table of Contents

	Page
1. Parts list	3-7
2. Exploded Drawings	
View 1 - Frame and Stand.....	8
View 2 – Upper Swing out Shaft assembly.....	9
View 3 – Lower Swing out Shaft assembly.....	10
View 3 – Left cabinet.....	11
View 4 – Right cabinet.....	12
View 5 – Front in feed table.....	13
View 6 – Left side plate – Outside.....	14
View 7 – Left side plate – Inside.....	15
View 8 – Right side plate – Outside.....	16
View 9 – Right side plate – Inside.....	17
View 10 – Stand Assembly.....	18
View 11 – Motor assembly.....	19
View 12 – Rewind tube assembly.....	20
3. Wiring Diagram.....	21

CORRESPONDENCE:

Graphic Finishing Partners LLC
PO Box 1097
Maryland Heights, MO. 63043
800-986-2005
sales@gfpartnersllc.com
www.gfpartnersllc.com

SHIPPING:

Graphic Finishing Partners LLC
13878 Parks Steed Drive
Earth City, MO. 63045

Service Parts

Smooth Finish LLC
Don Bahr
455 Bosal Way
Lavonia,, GA.30553
770-235-9374
info@smoothfinish.net

April 2013

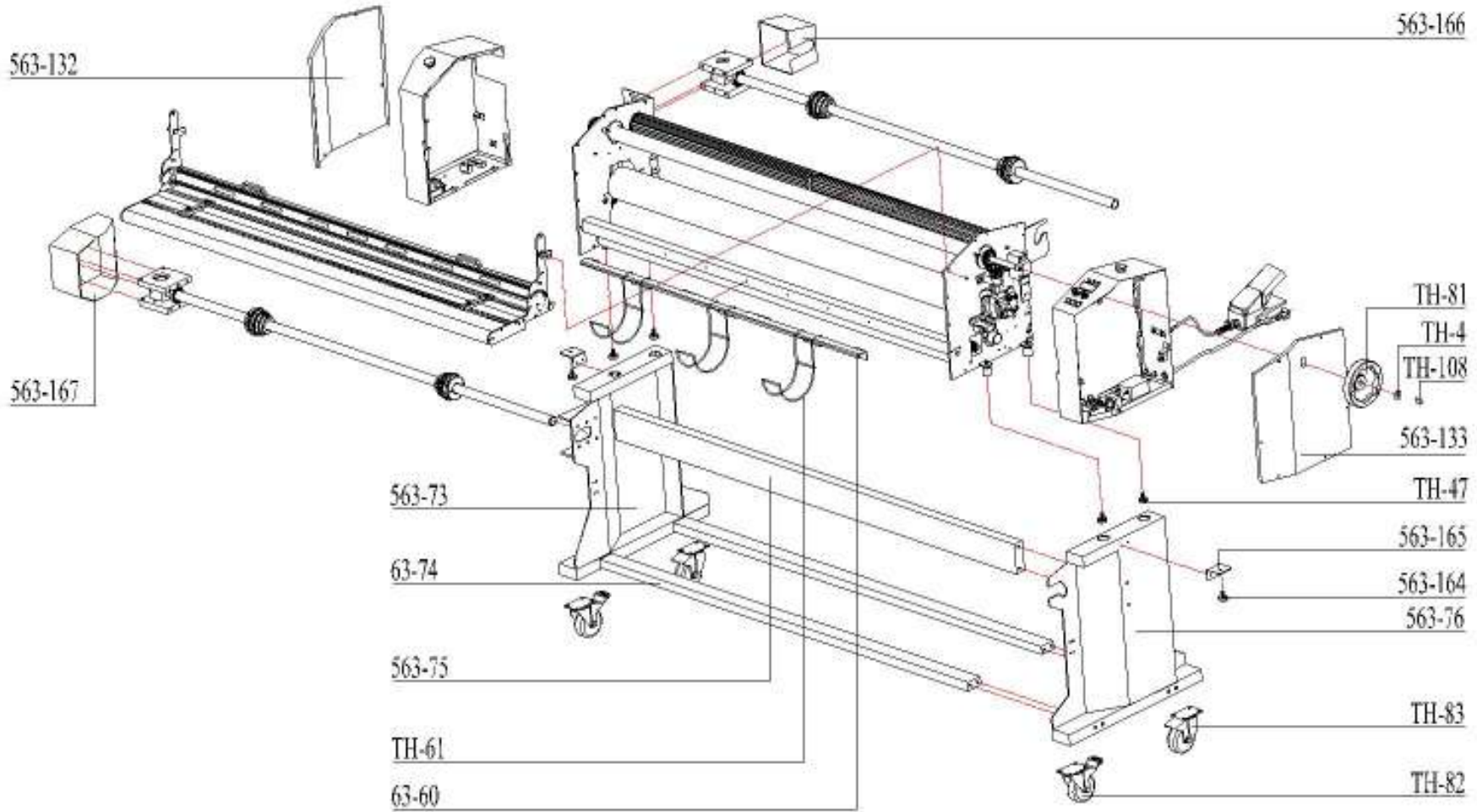

PART PREFIX	PART NUMBER	DESCRIPTION	VIEW NUMBER	STOCK ITEM
563-	1	Upper Supply Mandrel Bracket	9	YES
TH-	3	Film core adaptor/brake	2	YES
TH-	4	Stopper	1,6,8	YES
TH-	5	Adjust pad of bevel gear	8	YES
TH-	6	Rewind tube sprocket	6	YES
TH-	7	Rewind tube bearing	6,8	YES
TH-	8	Drive sleeve of rewind tube	7,12	
63-	9	Rewind tube	7,12	
TH-	10	Core stop clip	12	YES
TH-	11	Locating shaft of rewind tube	7,12	
TH-	12	Locating sleeve of rewind tube	7,12	
TH-	13	Rewind tube gasket	7,12	
TH-	14	Rewind tube spring	7,12	YES
TH-	15	Pressure adjustment nut	7,12	
TH-	16	Angle gear	6,8	YES
63-	17	63" Pressure-regulating linkage shaft	7	
TH-	18	Bearing sleeve	7,9	YES
63-	19	63" Heat roller	9	YES
63-	20	63" Heat tube	3	
63-	20-1	63" Heat tube packaged	9	YES
TH-	21	Right exit table bracket	9	
63-	22	63" Exit table	9	
TH-	23	Left exit table bracket	9	
TH-	24	Hand protection rubber ring	9	
63-	25	63" Rear supporting beam	9	
TH-	26	Nip roller sprocket	6	YES
TH-	27	Nip roller block	7,9	YES
63-	28	63" Nip roller	9	YES

PART PREFIX	PART NUMBER	DESCRIPTION	VIEW NUMBER	STOCK ITEM	
TH-	29	Motor Sprocket	6	YES	
TH-	30	Motor gasket	6	YES	
TH-	31	Brake Pad	2	YES	
TH-	33	Left mounting block of protective plate	2,5		
TH-	34	Locating shaft of front protective plate	5		
63-	35	63" front protective plate	5		
TH-	36	Right mounting block front protective plate	5		
563-	37	Left cabinet	3		
TH-	39	Pressure-regulating support seat	6,8	YES	
TH-	40	Pressure-regulating locating shaft	6,8	YES	
TH-	41	Pressure-regulating bearing seat	6,8	YES	
TH-	42	Cushion of Quartz tube	6,8	YES	
TH-	43	Support of Quartz tube	6,8	YES	
TH-	44	Adjust piece of base	6		
TH-	45	Support bracket insert	7,9		
TH-	46	Heat roller cover plate	6		
TH-	47	Stand locking screw	1	YES	
563-	48	Left supporting plate	6		
TH-	49	In feed table stop	6,9		
TH-	50	Positioning pin of rear panel	9		
63-	51	63" Press roller	5	YES	
63-	52	63" Upper supporting beam	7	YES	
TH-	53	Sensor supporting plug	9		
TH-	54	Supporting frame of sensor	9		
TH-	55	Mounting bracket of sensor supporting beam	9		
TH-	56	Heat sensor	9	YES	
563-	57	63" Right supporting plate	8		
563-	58	Right cabinet	4		
563-	59	Surface protection film	4		
63-	60	63" Media mounting plate	1		
TH-	61	Media support bracket	1		

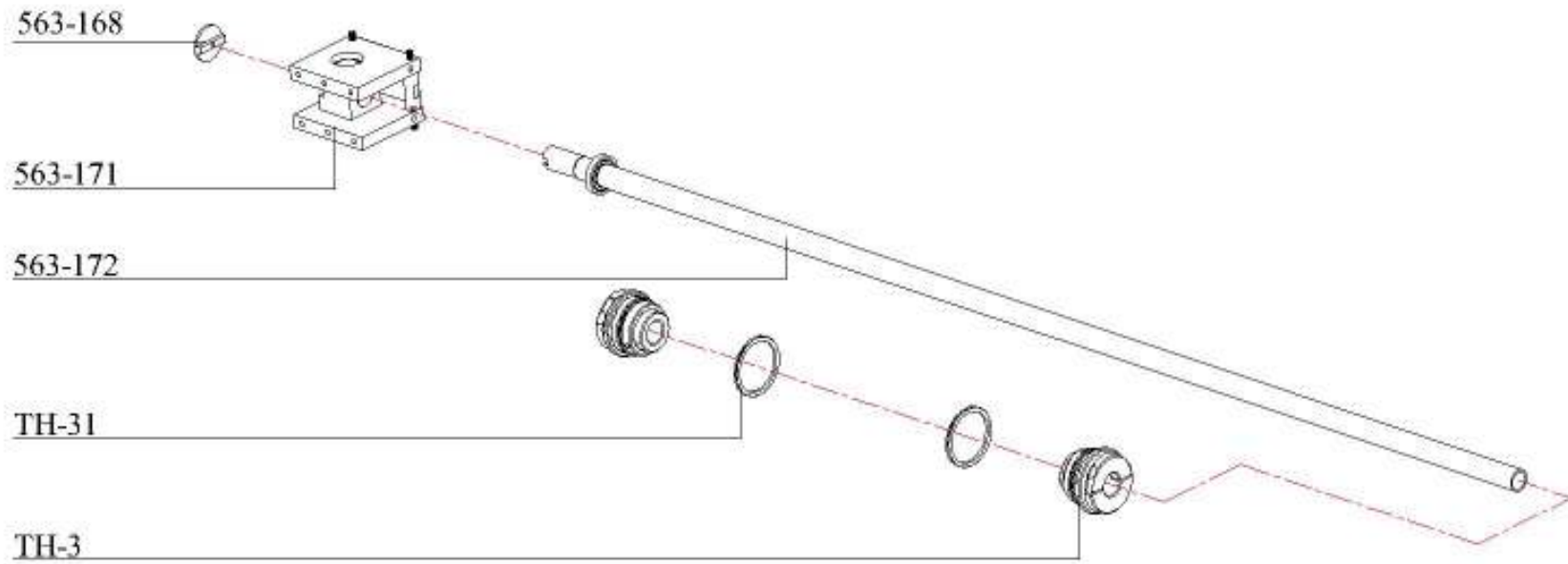
PART PREFIX	PART NUMBER	DESCRIPTION	VIEW NUMBER	STOCK ITEM	
TH-	62	Feed Table washer	5	YES	
TH-	63	Left feed table bracket	5	YES	
TH-	64	Positioning pin of feed table	5	YES	
63-	65	63" Back feed table	5		
63-	66	63" Front feed table	5		
TH-	67	Right Feed Table bracket	5	YES	
TH-	68	Side guide knob	5	YES	
TH-	69	Side guide	5	YES	
TH-	70	Side guide screw	5	YES	
63-	71	63" Idler roller	7	YES	
563-	73	Left stand leg	10		
63-	74	63" Lower supporting beam of frame	10		
563-	75	63" Middle supporting beam of frame	10		
563-	76	Right stand leg	10		
TH-	77	Rewind Drive chain	6	YES	
TH-	78	Drive motor chain	6	YES	
63-	79	63" Drive motor	7	YES	
TH-	80	Press wire clip	6,8		
TH-	81	Hand wheel	1	YES	
TH-	82	Caster with brake	10	YES	
TH-	83	Caster without brake	10	YES	
TH-	84	Emergency stop switch	3,4	YES	
TH-	85	Wiring terminal	3	YES	
TH-	86	Motor capacitor (inside motor)	3		
TH-	87	Speed board	3	YES	
TH-	88	Fixed leg of wiring board	3,4		
TH-	89	Heat sink	8		
TH-	90	Solid state relay	8	YES	
TH-	91	Temperature controller	8	YES	
TH-	92	Temperature control board	4	YES	
TH-	93	Power Transformer	4	YES	

PART PREFIX	PART NUMBER	DESCRIPTION	VIEW NUMBER	STOCK ITEM	
TH-	94	Fuse	4	YES	
TH-	95	Power cord	4	YES	
TH-	96	Tightner	4	YES	
TH-	97	Aviation plug	4	YES	
TH-	98	Power switch	4	YES	
TH-	99	Potentiometer	4		
TH-	100	Zippy Knife		YES	
TH-	101	Cold indicator lamp	4	YES	
TH-	102	Hot indicator lamp	4	YES	
TH-	103	Ready light lamp	4	YES	
TH-	104	LCD temperature display	4	YES	
TH-	105	Knob	4,11	YES	
TH-	106	Control panel switch - 2 position	4	YES	
TH-	107	Rewind motor switch- 3 position	11	YES	
TH-	108	Hand wheel key	1	YES	
TH-	109	Diode	4	YES	
TH-	110	Iron film resistance	4	YES	
TH-	113	Rewind motor connector	3,4	YES	
TH-	114	Safety Foot Pedal	4	YES	
TH-	115	Photocell eye	6,8	YES	
TH-	116	Control plate of photocell	8	YES	
TH-	117	Wave filter	4	YES	
TH-	119	Speed Kit (without Installation)		YES	
TH-	120	Rewind motor assembly	11	YES	
63-	121	63" Rewind tube assembly	12	YES	
563-	122	63" Stand assembly	1		
TH-	123	5mm Allen Wrench		YES	
63-	124	63" Press Roller Assembly		YES	
TH-	125	Rewind Tube Friction Pad (2)	7,12	YES	
TH-	127	Riser Kit		YES	
TH-	130	Guide Rail	8		
TH-	131	Handle	5		
563-	132	Left side cover	1	YES	

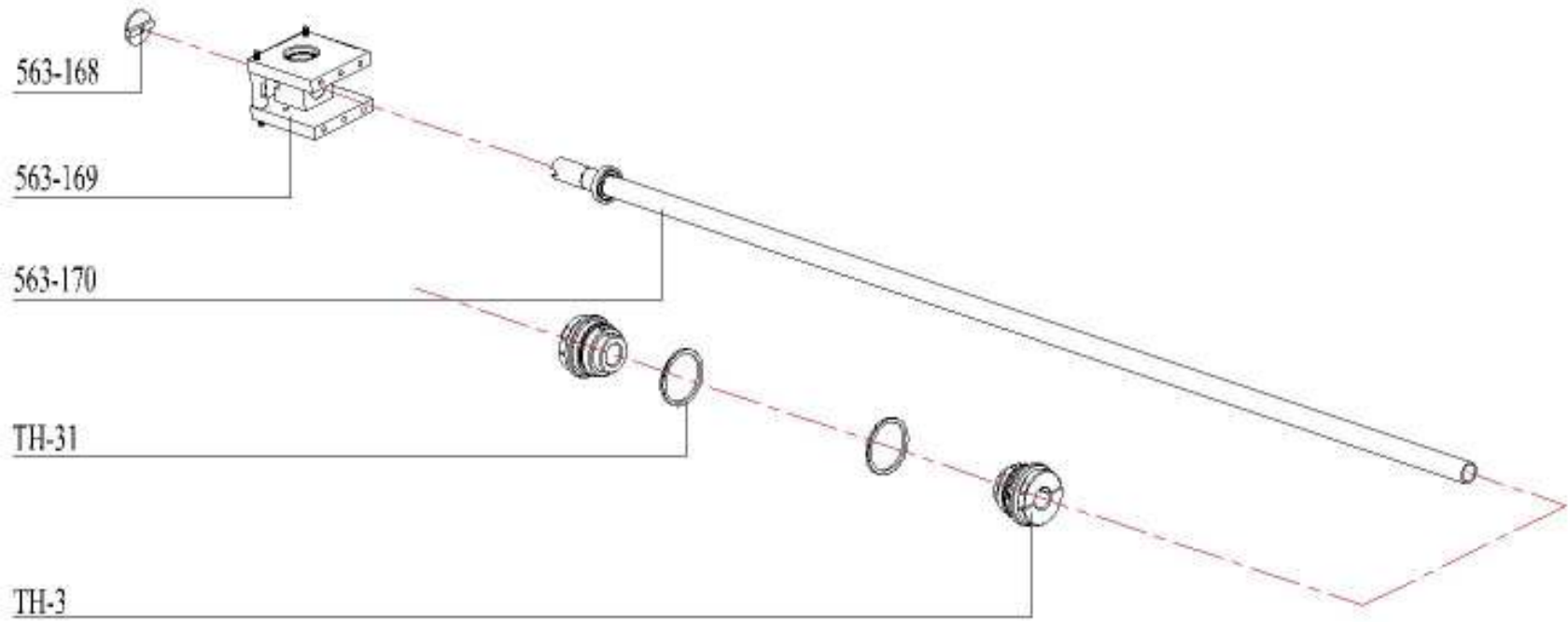
PART PREFIX	PART NUMBER	DESCRIPTION	VIEW NUMBER	STOCK ITEM	
563-	133	Right side cover	1	YES	
TH-	134	Leakage protector	8	YES	
TH-	135	Upper cover	11		
TH-	136	Drive sleeve of rewind tube	11		
TH-	137	Coupler of wind-up motor	11		
TH-	138	Wind-up motor cover	11		
TH-	139	Rewind bearing	11		
TH-	141	Left rewind bracket	11		
TH-	142	Right rewind bracket	11		
TH-	143	Left supporting case	11		
TH-	144	Spacer plate	11		
TH-	145	Wind up motor	11	YES	
TH-	146	Wind-up motor capacitor (inside motor)	11		
TH-	147	Power lead	11		
TH-	148	Wind-up wiring board	11		
TH-	149	Potentiometer	11	YES	
TH-	150	Leveling feet	6,8	YES	
563-	153	6 mm Allen wrench			
TH-	156	Feed table bracket screw	5		
TH-	157	Small motor washer	6		
TH-	158	Rewind tube spacer	7		
63-	159	Paper tube	7		
TH-	160	Wiring board leg	8		
563-	164	Locating screw 8mm	1,10	YES	
563-	165	Alignment bracket	1,10	YES	
563-	166	Upper cover of swing out shaft	1	YES	
563-	167	Lower cover of swing out shaft	1	YES	
563-	168	Supply shaft locating plate	2	YES	
563-	169	Lower swing out assembly	1	YES	
563-	170	Lower supply mandrel assembly	1	YES	
563-	171	Upper swing out assembly	2	YES	
563-	172	Upper supply mandrel assembly	2	YES	
563-	173	Upper cross member	7	YES	





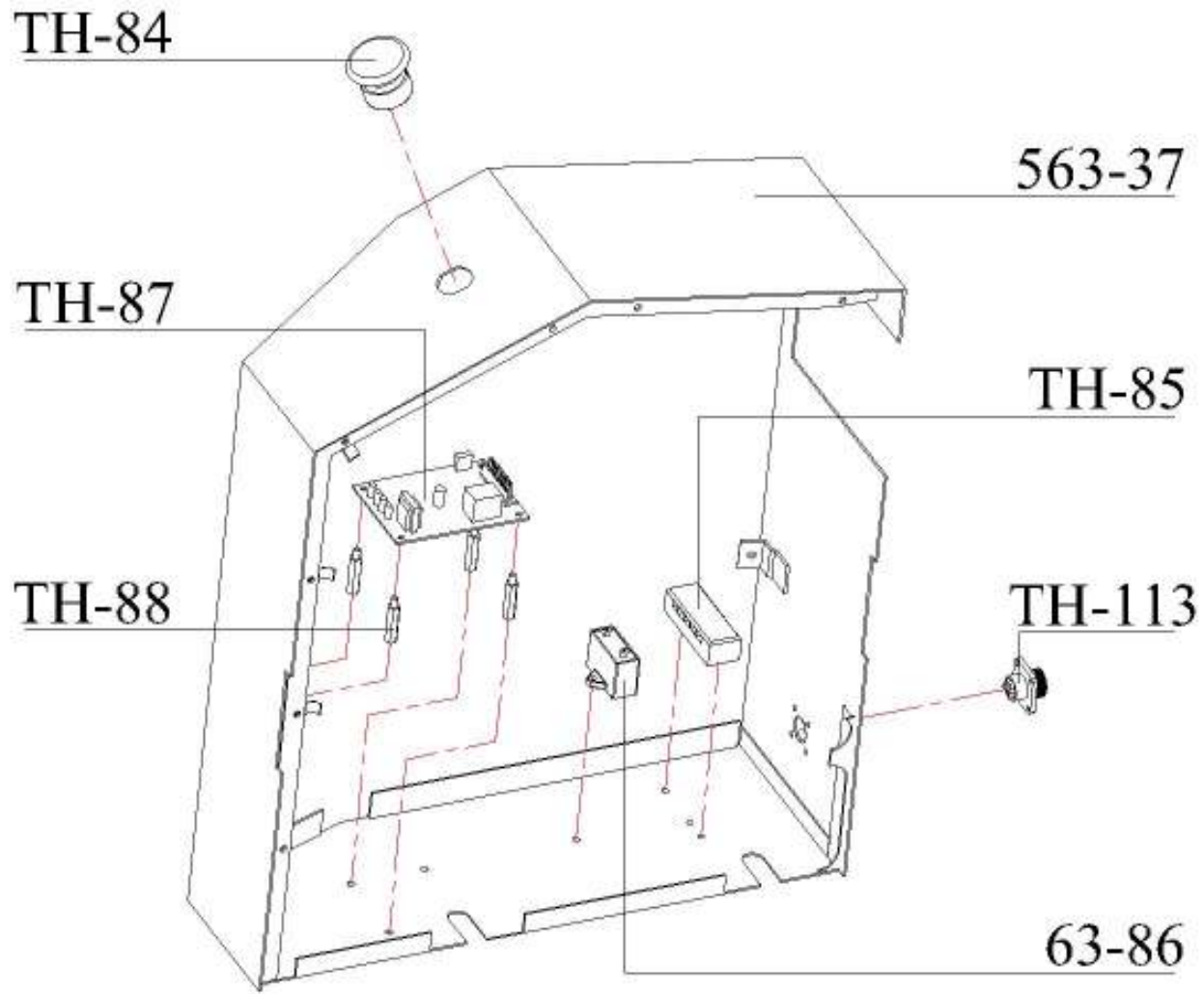

View 1- Frame and Stand



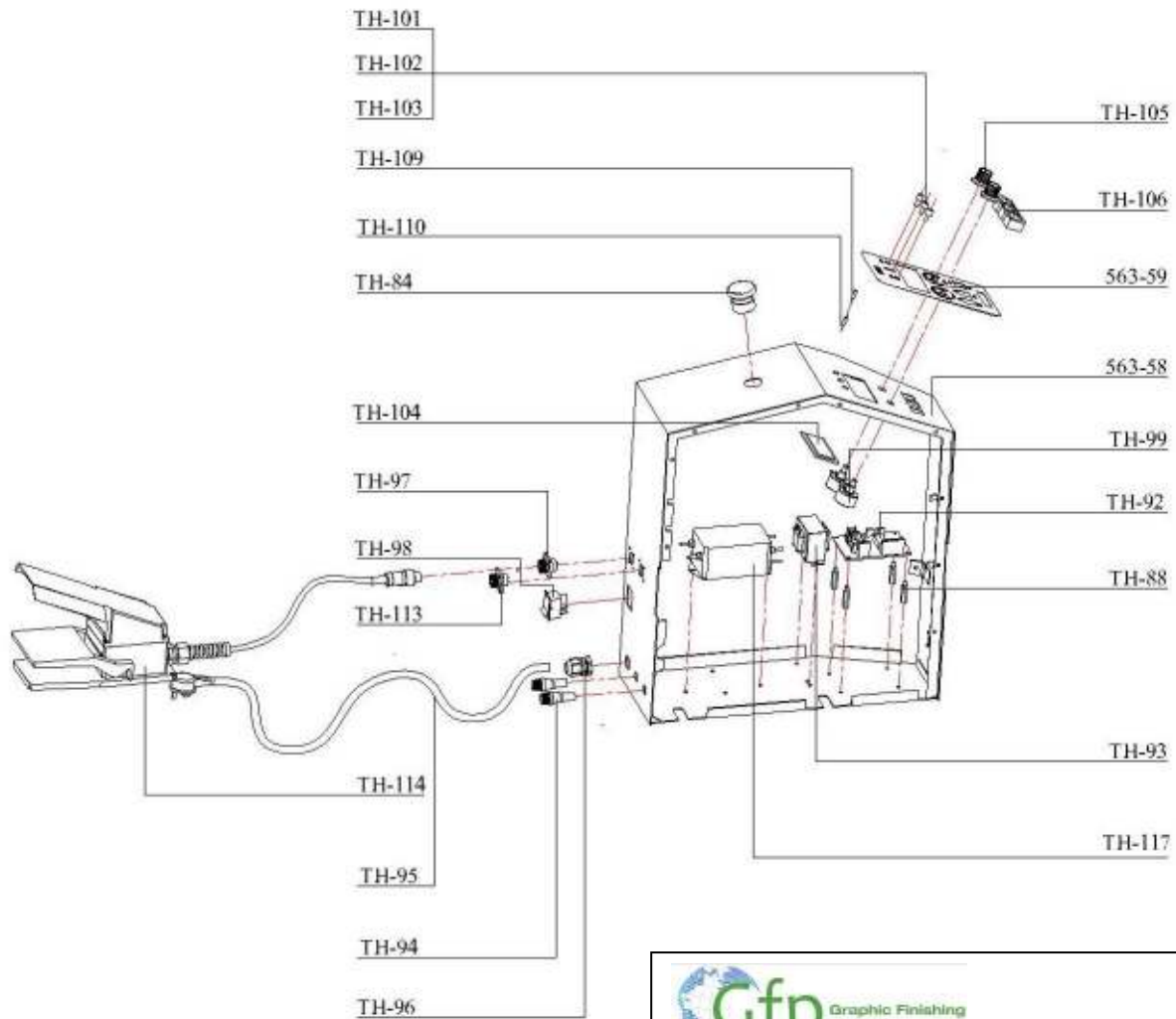

View 2 – Upper Swing out shaft assembly



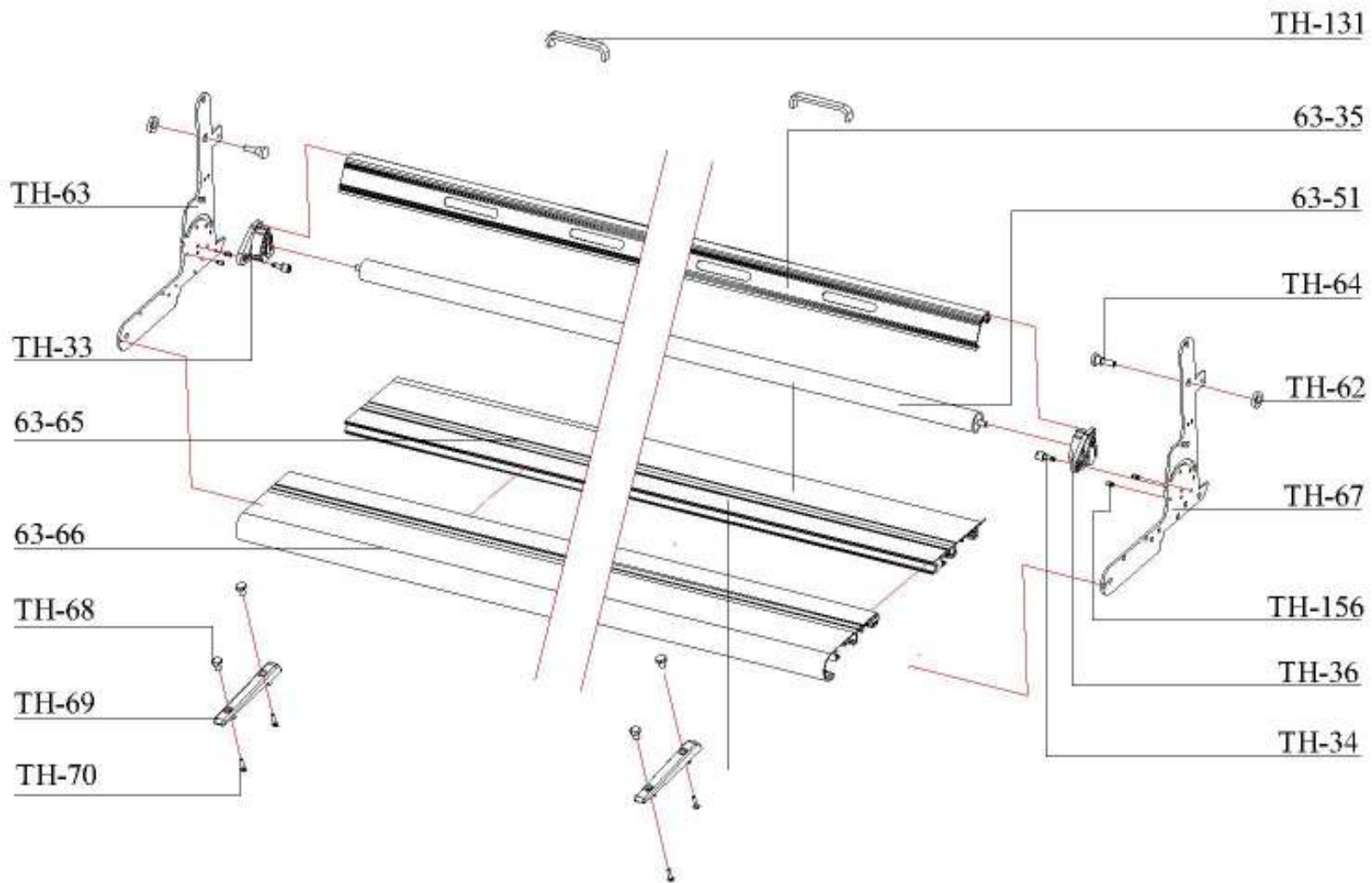
 View 3 – Lower Swing out shaft assembly

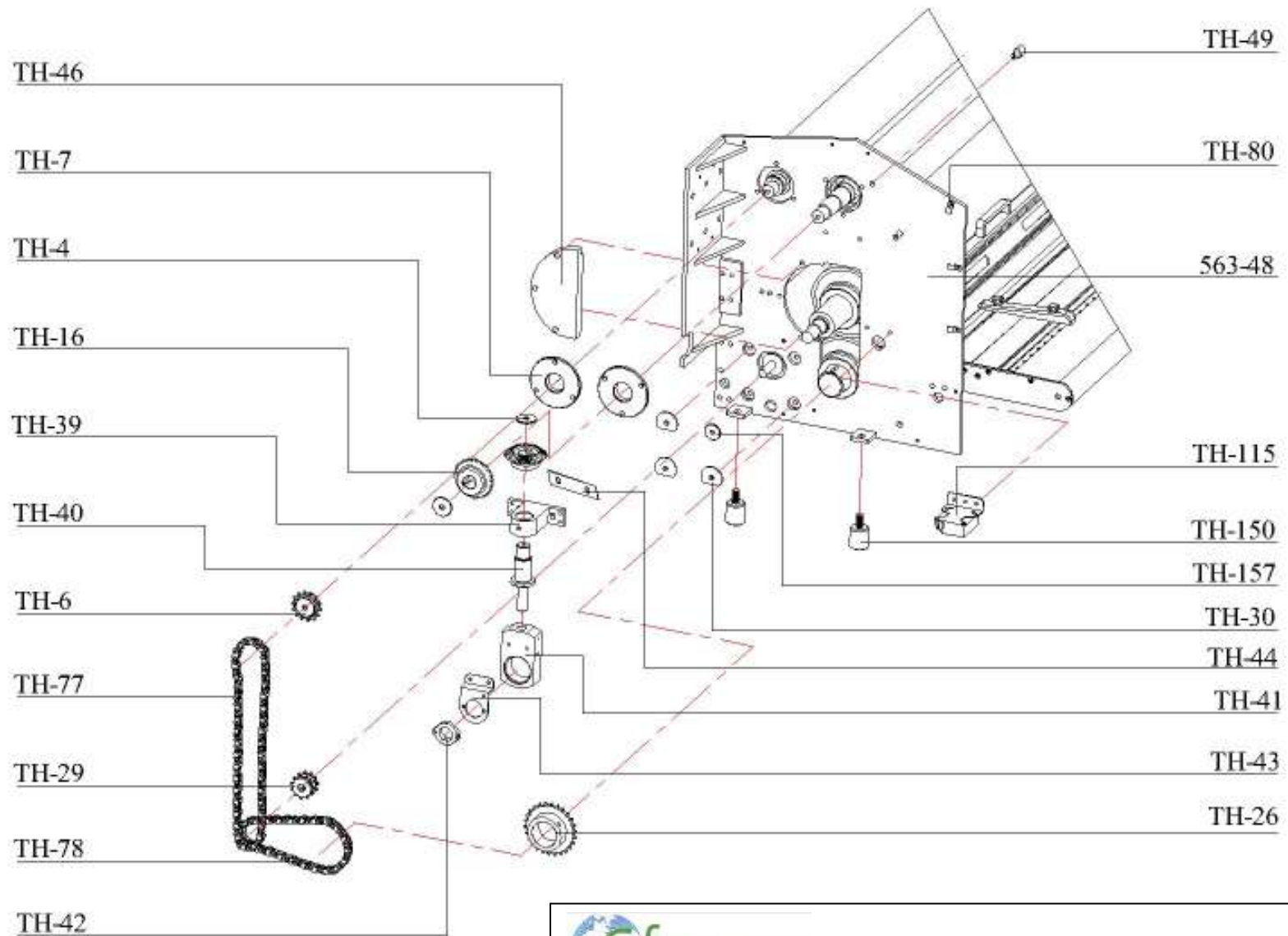

View 4 – Left cabinet

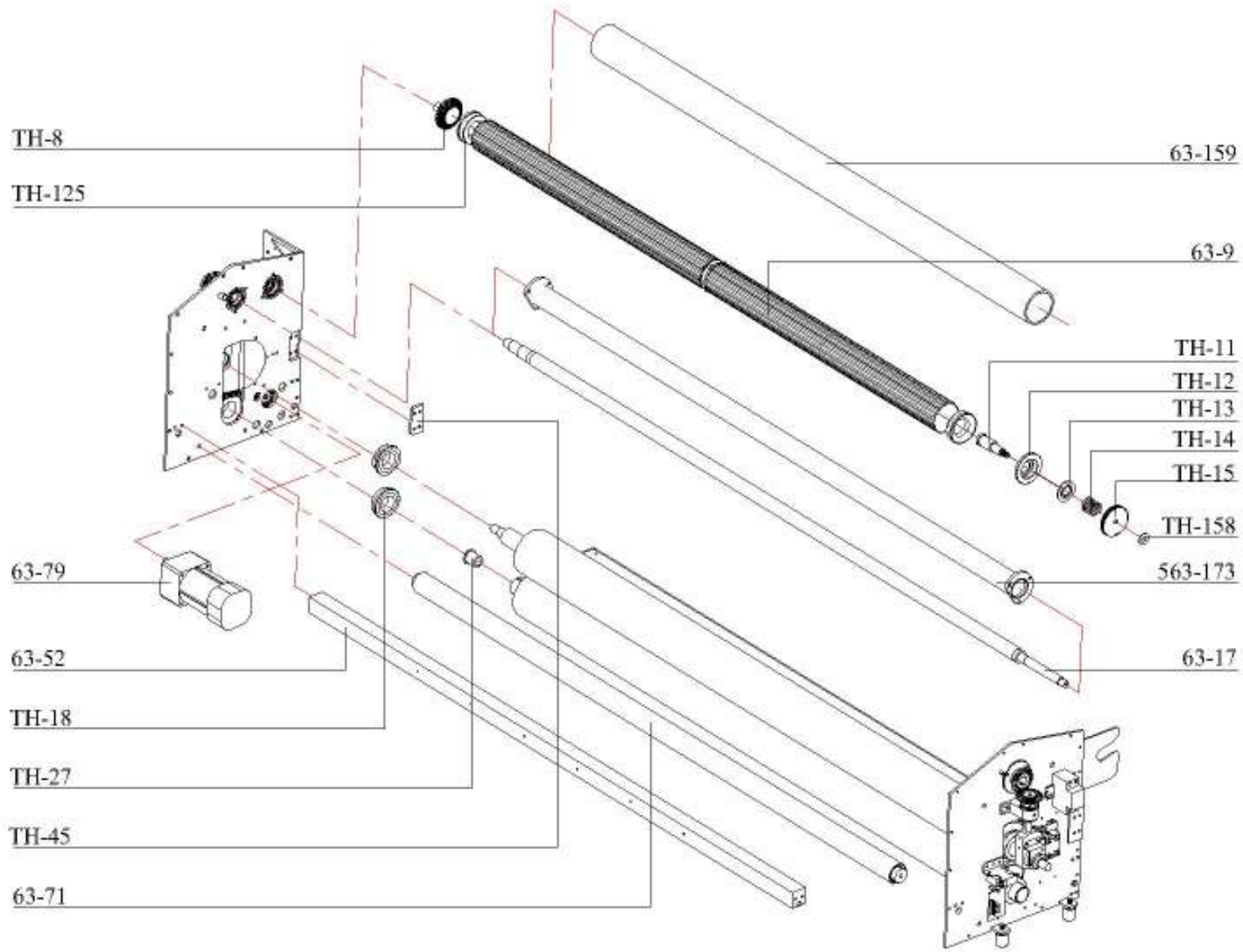
View 5- Right cabinet




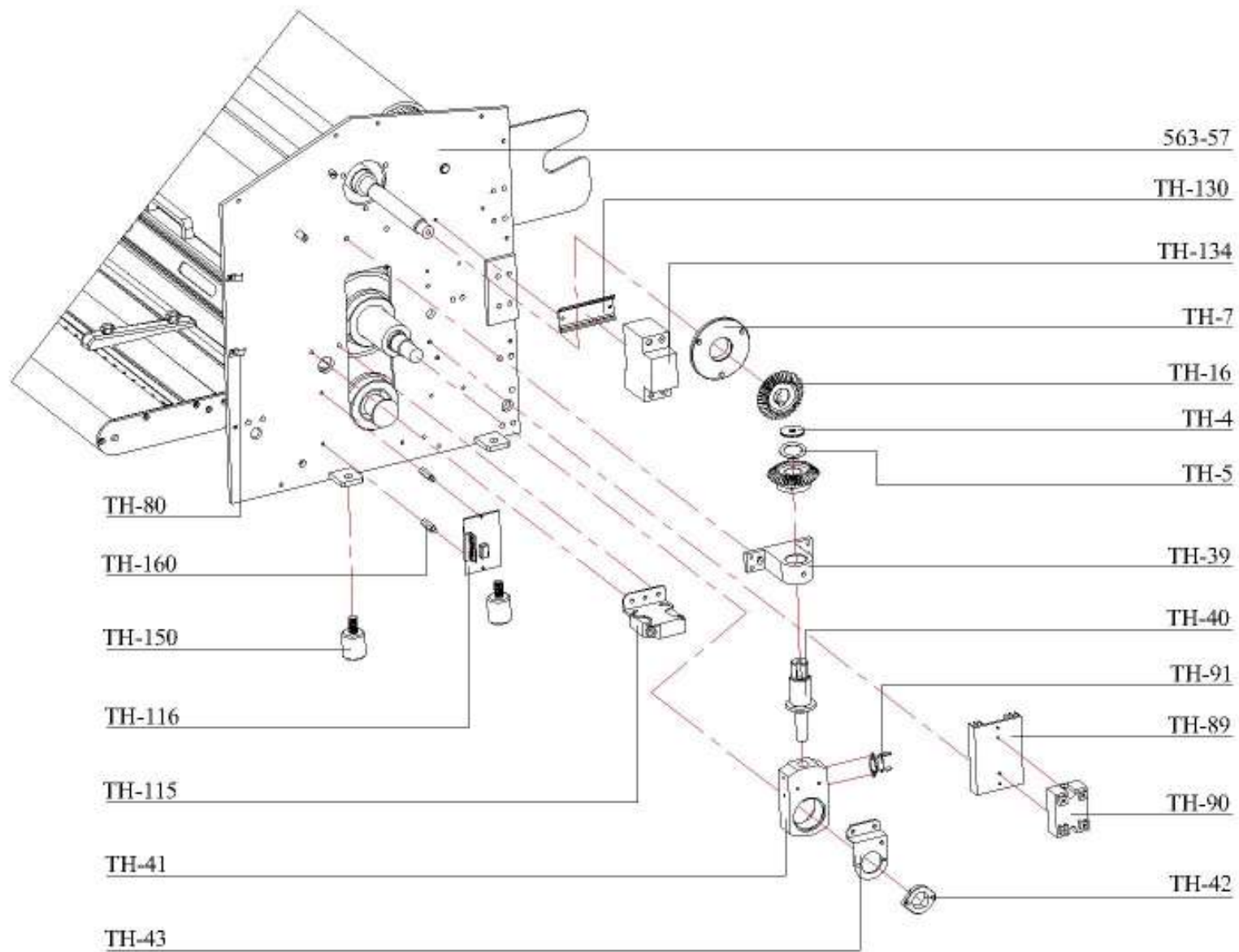
View 6- Front in feed table

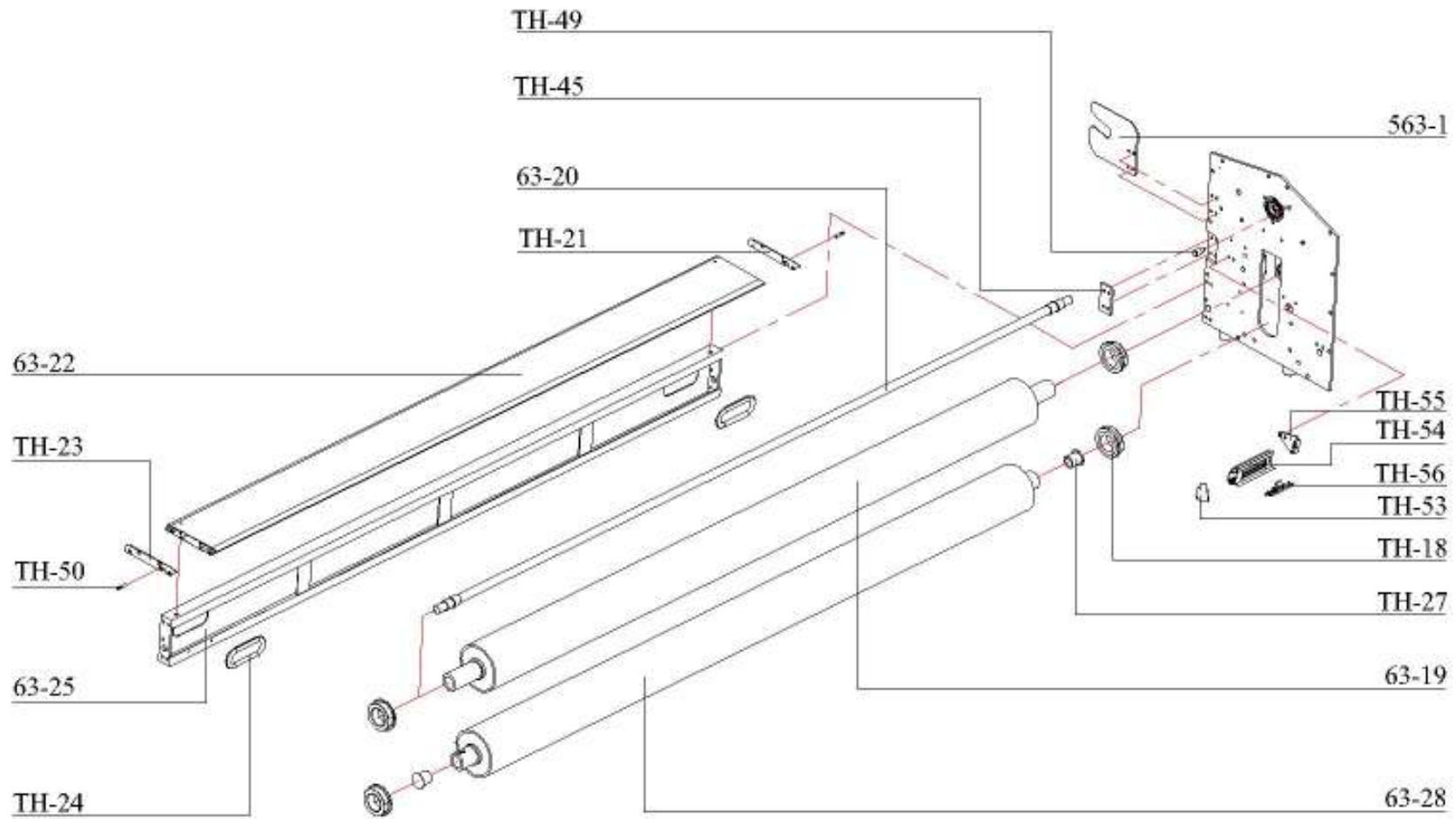
View 7 – Left side plate - Outside



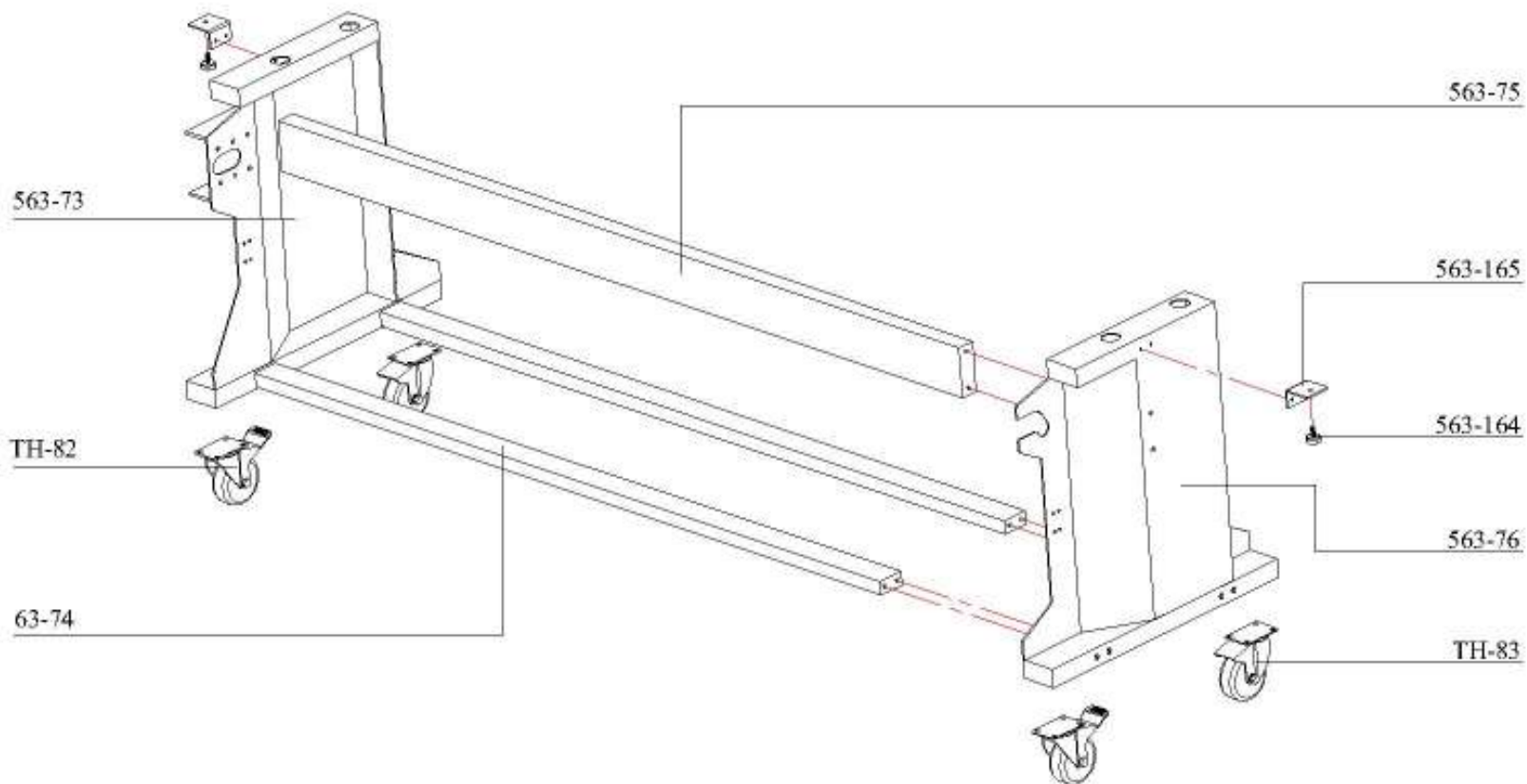

 View 8 – Left side plate - Inside




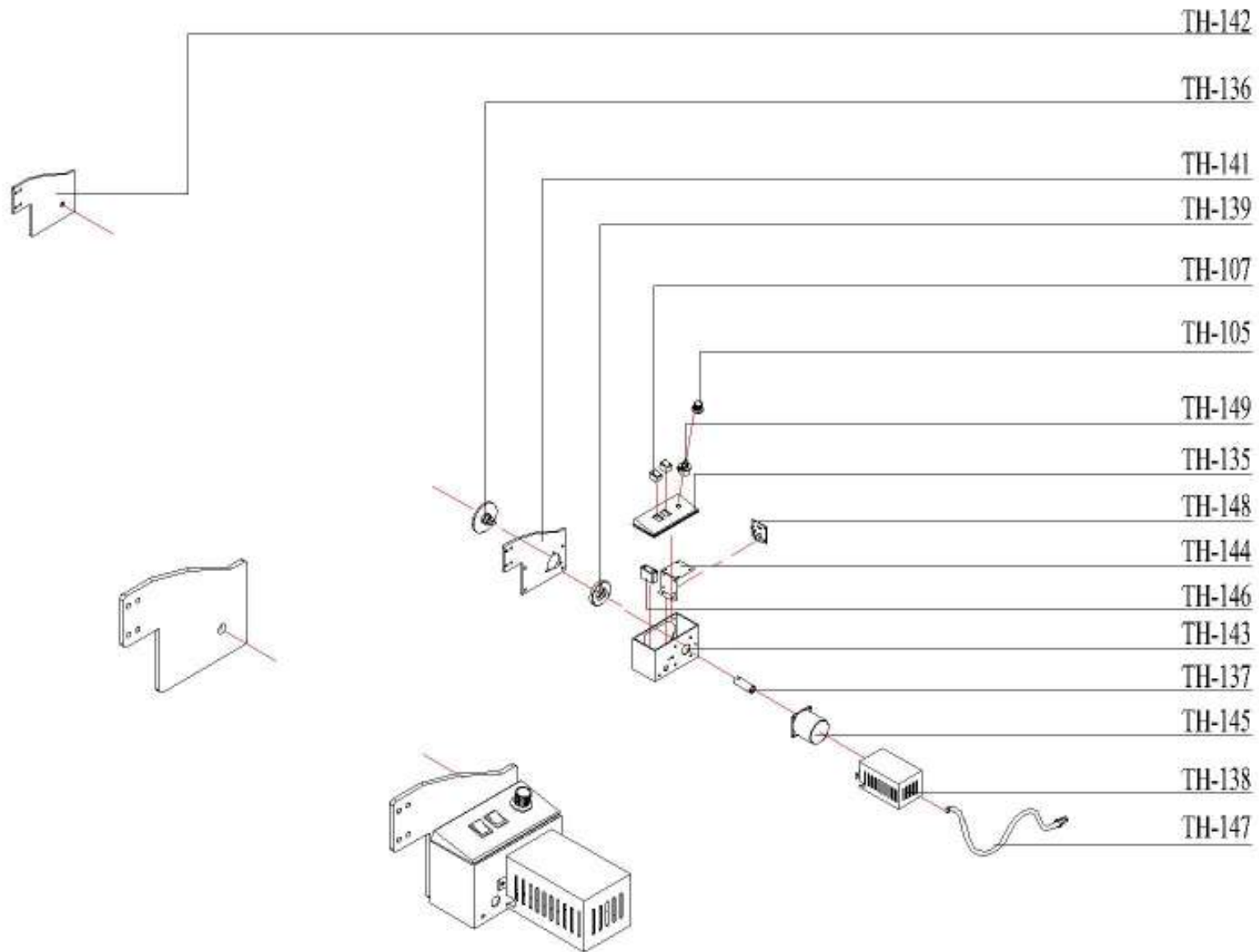
View 9 – Right side plate - Outside



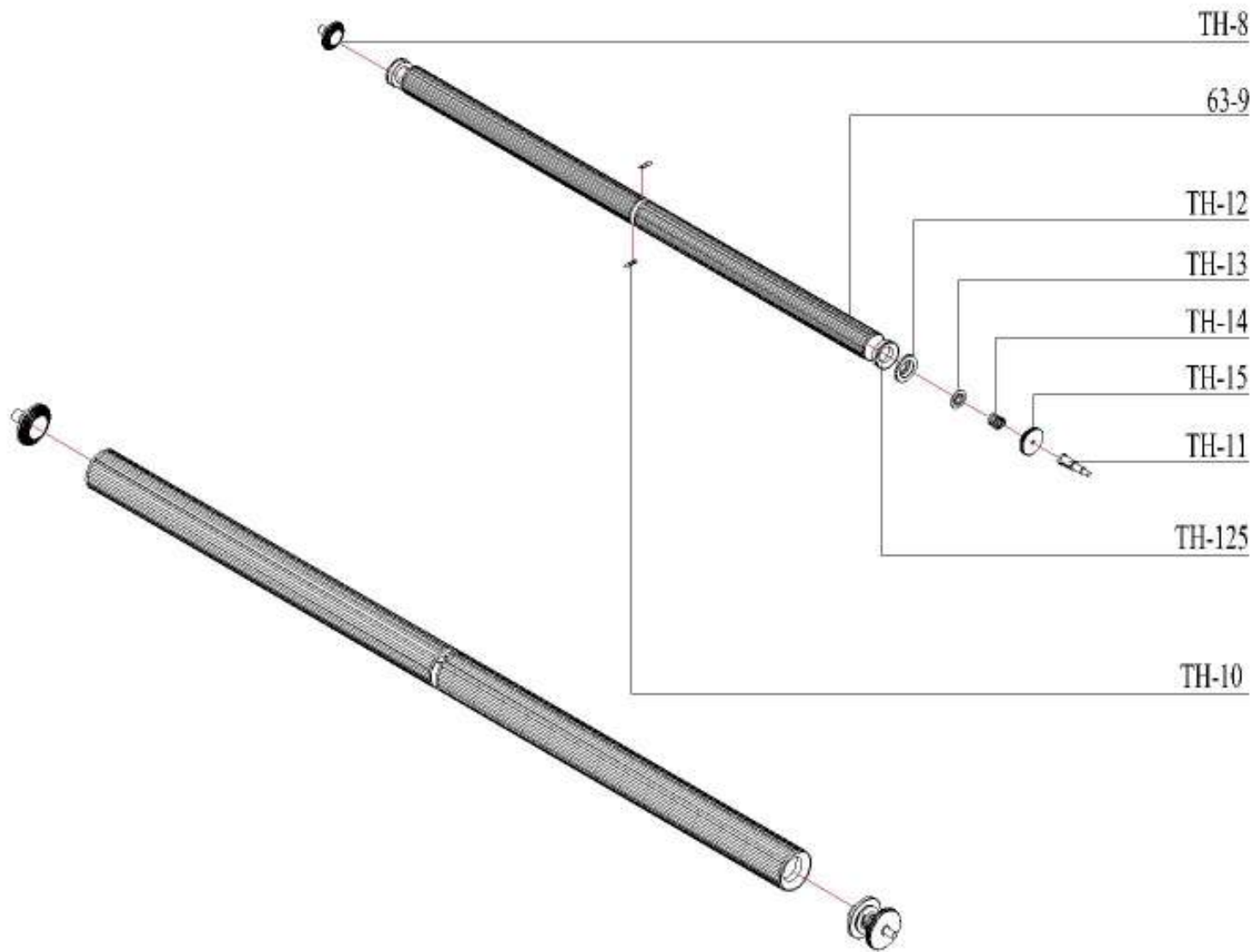
View 10 – Right side plate - Inside



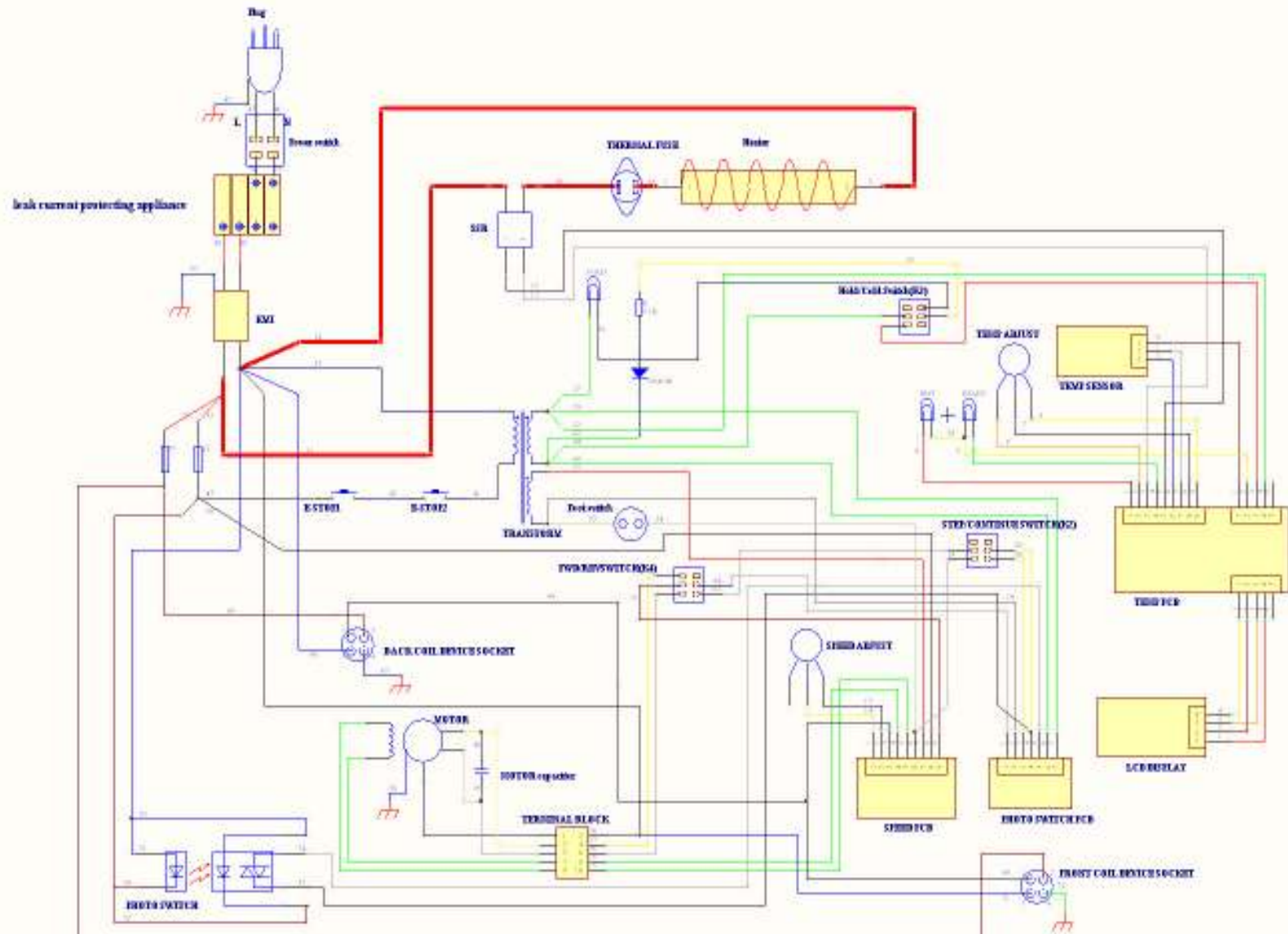
 View 11 – 563-122 Stand Assembly



View 12 – TH-120 Rewind motor assembly



View 13 – 63-121 Rewind tube assembly




Gfp Graphic Finishing partners
 563TH
 Wiring Diagram