



SERVICE MANUAL Gfp 455 TH
Gfp 463 TH



October 2013

Table of Contents

	Page
1. Parts list	3-8
2. Exploded Drawings	
View 1 - Frame and Stand.....	9
View 2 - Rewind and Shafts.....	10
View 3 - Right side frame.....	11
View 4 - Left side frame.....	12
View 5 - Electronics.....	13
View 6 - Front In feed table.....	14
View 7 - Rewind motor assembly.....	15
View 8 - Rewind tube assembly.....	16
View 9 - Stand assembly.....	17
3. Wiring Diagram.....	18

CORRESPONDENCE:

Graphic Finishing Partners LLC
PO Box 1097
Maryland Heights, MO. 63043
800-986-2005
sales@gfpartnersllc.com
www.gfpartnersllc.com

SHIPPING:

Graphic Finishing Partners LLC
13878 Parks Steed Drive
Earth City, MO. 63043
800-325-3628

Service Parts

Smooth Finish LLC
Don Bahr
455 Bosal Way
Lavonia,, GA.30553
770-235-9374
donbahr@smoothfinish.net

Jan-12

PART PREFIX	PART NUMBER	DESCRIPTION	VIEW NUMBER	STOCK ITEM
TH-	1	Upper Supply Mandrel Bracket	2	YES
55-	2	55" Supply mandrel	2	YES
63-	2	63" Supply mandrel	2	YES
TH-	3	Film core adaptor/brake	2	YES
TH-	4	Stopper	3	YES
TH-	5	Adjust pad of bevel gear	3	YES
TH-	6	Rewind tube sprocket	2,4	YES
TH-	7	Rewind tube bearing	2,3,4	YES
TH-	8	Drive sleeve of rewind tube	2	
55-	9	55" rewind tube (discontinued) (see 55-121)	2,5	
63-	9	55" rewind tube (discontinued) (see 63-121)	2,5	
TH-	10	Core stop clip	2,5	YES
TH-	11	Locating shaft of rewind tube	2,5	
TH-	12	Locating sleeve of rewind tube	2,5	
TH-	13	Rewind tube gasket	2,5	
TH-	14	Rewind tube spring	2,5	YES
TH-	15	Pressure adjustment nut	2,5	
TH-	16	Angle gear	3	YES
55-	17	55" Pressure-regulating linkage shaft	2	
63-	17	63" Pressure-regulating linkage shaft	2	
TH-	18	Bearing sleeve	1	YES
55-	19	55" Heat roller	1	YES
63-	19	63" Heat roller	1	YES
55-	20	55" Heat tube	3	
55-	20-1	55" Heat tube packaged		YES
63-	20	63" Heat tube	3	
63-	20-1	63" Heat tube packaged		YES
TH-	21	Right exit table bracket	2	
55-	22	55" Exit table	2	
63-	22	63" Exit table	2	

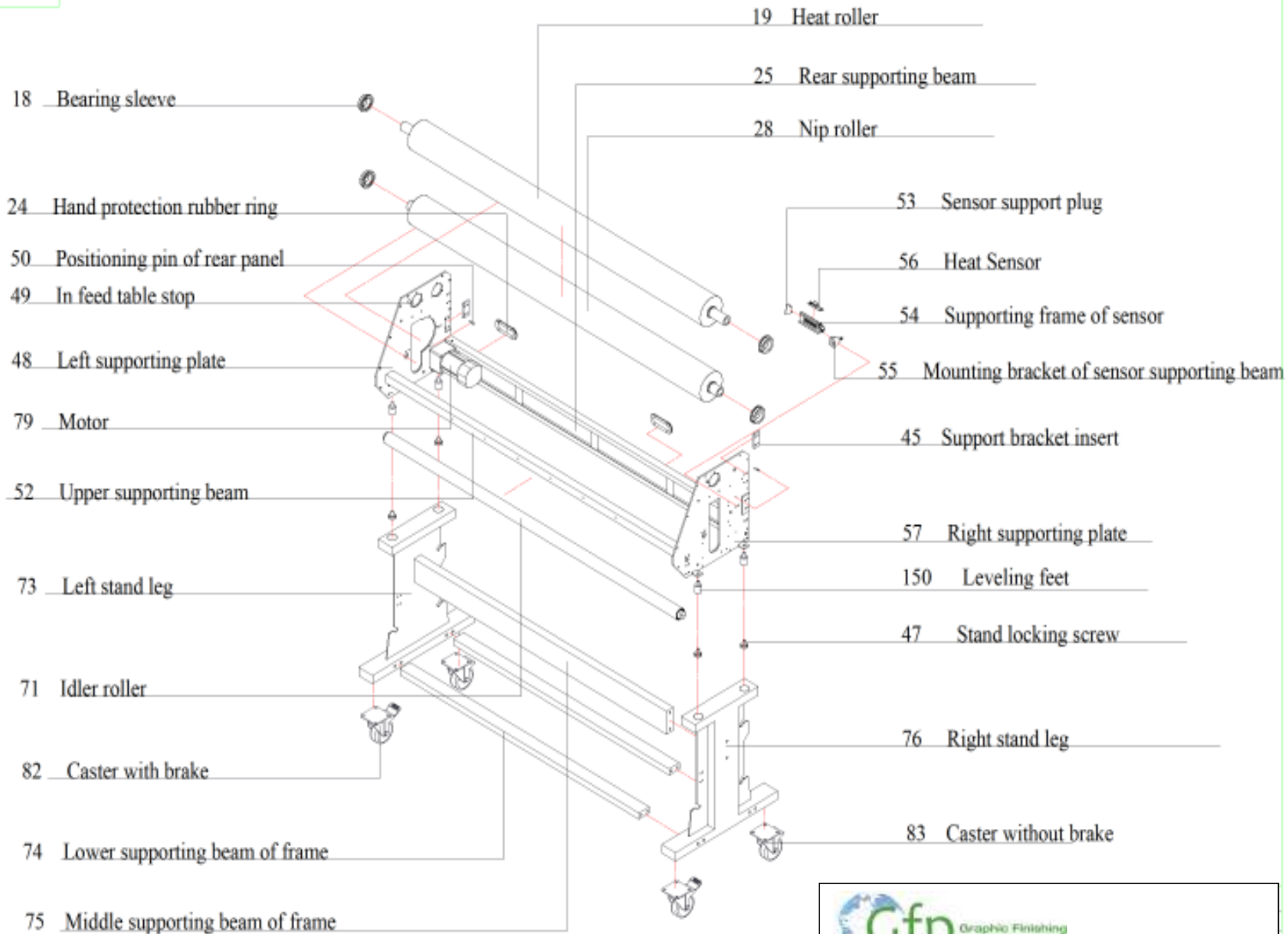
PART PREFIX	PART NUMBER	DESCRIPTION	VIEW NUMBER	STOCK ITEM	
TH-	23	Left exit table bracket	2		
TH-	24	Hand protection rubber ring	1		
55-	25	55" Rear supporting beam	1		
63-	25	63" Rear supporting beam	1		
TH-	26	Nip roller sprocket	4	YES	
TH-	27	Nip roller block	4	YES	
55-	28	55" Nip roller	1	YES	
63-	28	63" Nip roller	1	YES	
TH-	29	Motor Sprocket	4	YES	
TH-	30	Motor gasket	4	YES	
TH-	31	Brake Pad		YES	
TH-	32	Positioning pin of front protective plate	6		
TH-	33	Left mounting block of protective plate	6		
TH-	34	Locating shaft of front protective plate	6		
55-	35	55" front protective plate	6		
63-	35	63" front protective plate	6		
TH-	36	Right mounting block front protective plate	6		
TH-	37	Left cabinet	5		
TH-	38				
TH-	39	Pressure-regulating support seat	3	YES	
TH-	40	Pressure-regulating locating shaft	3	YES	
TH-	41	Pressure-regulating bearing seat	3	YES	
TH-	42	Cushion of Quartz tube	3	YES	
TH-	43	Support of Quartz tube	3	YES	
TH-	44	Adjust piece of base	3		
TH-	45	Support bracket insert	1		
TH-	46	Heat roller cover plate	4		
TH-	47	Stand locking screw	1	YES	
TH-	48	Left supporting plate	1,4		
TH-	49	In feed table stop	1		
TH-	50	Positioning pin of rear panel	1		

PART PREFIX	PART NUMBER	DESCRIPTION	VIEW NUMBER	STOCK ITEM	
55-	51	55" Press roller	6	YES	
63-	51	63" Press roller	6	YES	
55-	52	55" Upper supporting beam	1		
63-	52	63" Upper supporting beam	1		
TH-	53	Sensor supporting plug	1		
TH-	54	Supporting frame of sensor	1		
TH-	55	Mounting bracket of sensor supporting beam	1		
STD	55	<i>55" machine stand (discontinued)</i>			
TH-	56	Heat sensor	1	YES	
55-	57	55" Right supporting plate	1,3		
63-	57	55" Right supporting plate	1,3		
TH-	58	Right cabinet	5		
TH-	59	Surface protection film	5		
55-	60	55" Media mounting plate	2		
63-	60	63" Media mounting plate	2		
TH-	61	Media support bracket	2		
TH-	62	Feed Table washer	6	YES	
TH-	63	Left feed table bracket	6	YES	
TH-	64	Positioning pin of feed table	6	YES	
55-	65	55" Back feed table	6		
63-	65	63" Back feed table	6		
55-	66	55" Front feed table	6		
63-	66	55" Front feed table	6		
TH-	67	Right Feed Table bracket	6	YES	
TH-	68	Side guide knob	6	YES	
TH-	69	Side guide	6	YES	
TH-	70	Side guide screw	6	YES	
55-	71	55" Idler roller	1		
63-	71	63" Idler roller	1		
TH-	72	Lower Supply mandrel bracket	2	YES	
TH-	73	Left stand leg	1		

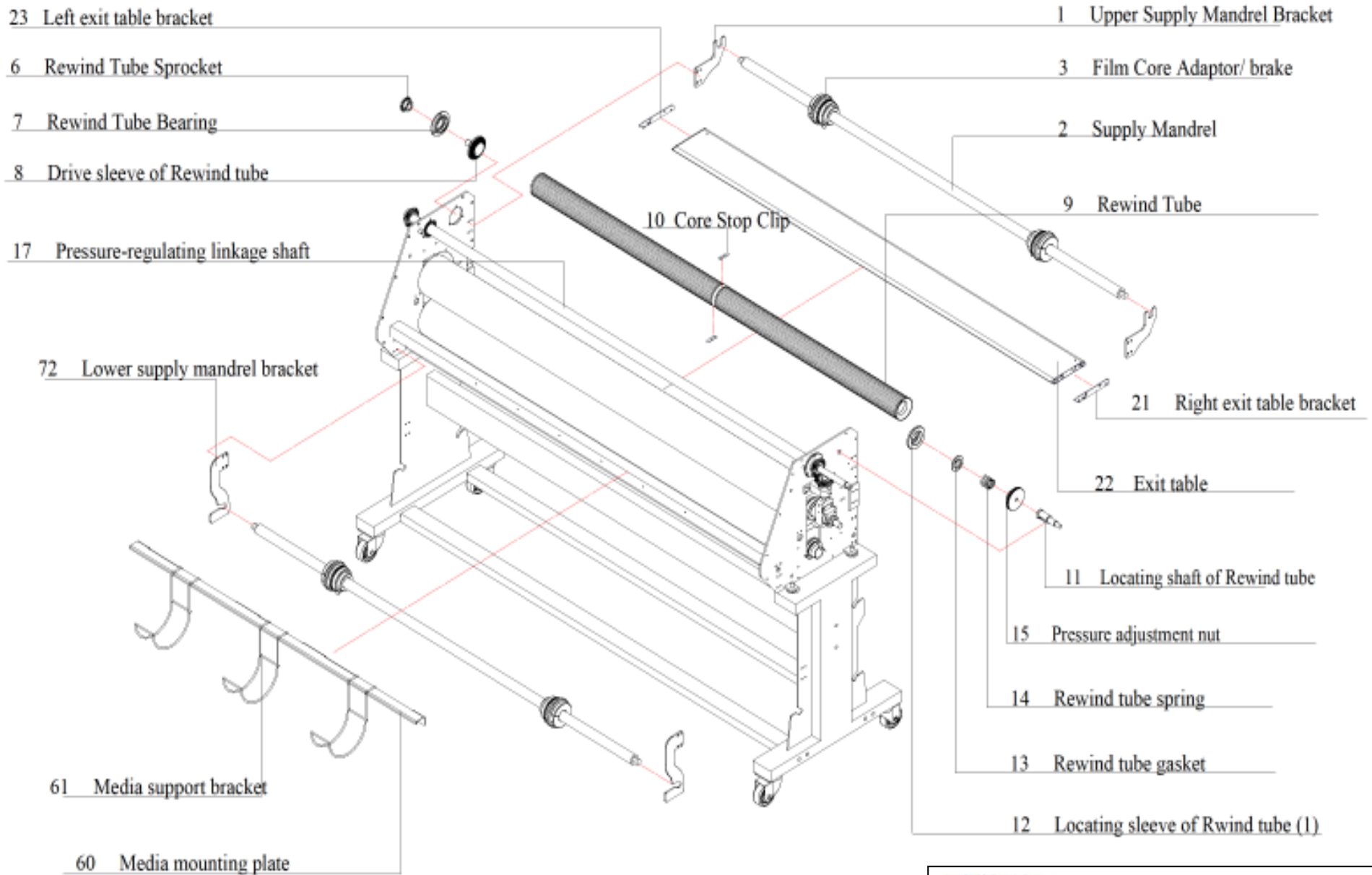
PART PREFIX	PART NUMBER	DESCRIPTION	VIEW NUMBER	STOCK ITEM	
55-	74	55" Lower supporting beam of frame	1		
63-	74	63" Lower supporting beam of frame	1		
55-	75	55" Middle supporting beam of frame	1		
63-	75	63" Middle supporting beam of frame	1		
TH-	76	Right stand leg	1		
TH-	77	Rewind Drive chain	4	YES	
TH-	78	Drive motor chain	4	YES	
55-	79	55" Drive motor	1	YES	
63-	79	63" Drive motor	1	YES	
TH-	80	Press wire clip	3,4		
TH-	81	Hand wheel	5	YES	
TH-	82	Caster with brake	1	YES	
TH-	83	Caster without brake	1	YES	
TH-	84	Emergency stop switch	5	YES	
TH-	85	Wiring terminal	5	YES	
TH-	86	Motor capacitor (inside motor)	5		
TH-	87	Speed board	5	YES	
TH-	88	Fixed leg of wiring board	5		
TH-	89	Heat sink	5		
TH-	90	Solid state relay	5	YES	
TH-	91	Temperature controller	3	YES	
TH-	92	Temperature control board	5	YES	
TH-	93	Power Transformer	5	YES	
TH-	94	Fuse	5	YES	
TH-	95	Power cord	5	YES	
TH-	96	Tightner	5	YES	
TH-	97	Aviation plug	5	YES	
TH-	98	Power switch	5	YES	
TH-	99	Potentiometer	5		
TH-	100	Zippy Knife		YES	
TH-	101	Cold indicator lamp	5	YES	

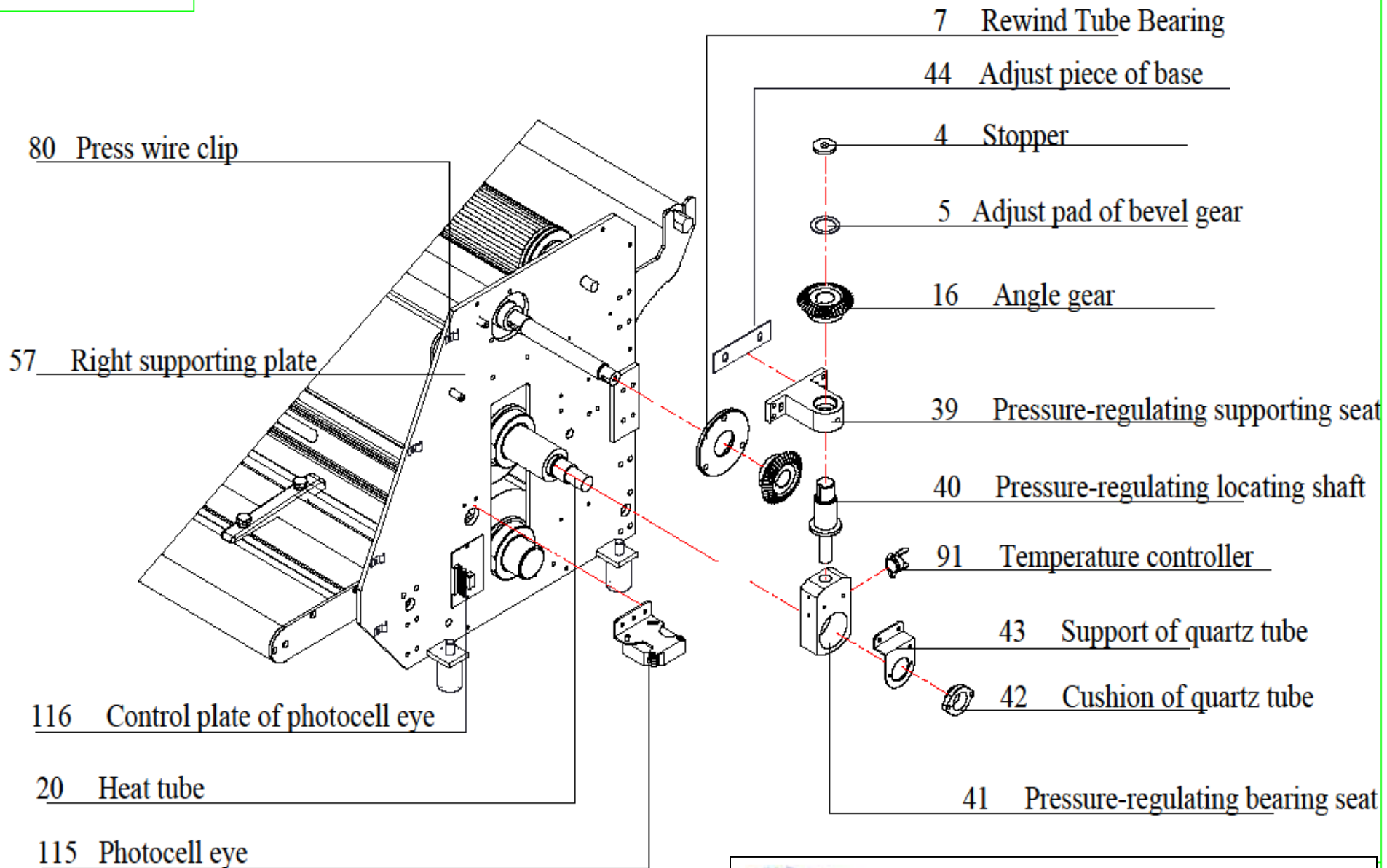
PART PREFIX	PART NUMBER	DESCRIPTION	VIEW NUMBER	STOCK ITEM
TH-	102	Hot indicator lamp	5	YES
TH-	103	Ready light lamp	5	YES
TH-	104	LCD temperature display	5	YES
TH-	105	Knob	5	YES
TH-	106	Control panel switch - 2 position	5	YES
TH-	107	Rewind motor switch- 3 position	5	YES
TH-	108	Hand wheel key	5	YES
TH-	109	Diode	5	YES
TH-	110	Iron film resistance	5	YES
TH-	111	<i>Pedal switch discontinued see TH-114</i>	5	YES
TH-	112	<i>Old speed board (see TH-87)</i>		YES
TH-	113	Rewind motor connector	5	YES
TH-	114	Safety Foot Pedal		YES
TH-	115	Photocell eye	3,4	YES
TH-	116	Control plate of photocell	3	YES
TH-	117	Wave filter	5	YES
55-	118	Mandrel/ Brake assembly		YES
63-	118	Mandrel/ Brake assembly		YES
TH-	119	Speed Kit (including Installation)		YES
TH-	120	Rewind motor assembly	7	YES
55-	121	55" Rewind tube assembly	8	YES
63-	121	63" Rewind tube assembly	8	YES
55-	122	55" Stand assembly	9	
63-	122	63" Stand assembly	9	
TH-	123	5mm Allen Wrench		YES
55-	124	55" Press Roller Assembly		YES
63-	124	63" Press Roller Assembly		YES
TH-	125	Rewind Tube Friction Pad (2)		YES
TH-	126	400 Series Riser Kit (<i>discontinued</i>)		YES
TH-	127	Riser Kit		YES
TH-	128			
TH-	129			

PART PREFIX	PART NUMBER	DESCRIPTION	VIEW NUMBER	STOCK ITEM	
TH-	130	Guide Rail	5		
TH-	131	Handle	6		
TH-	132	Left side cover	5	YES	
TH-	133	Right side cover	5	YES	
TH-	134	Leakage protector	5	YES	
TH-	135	Upper cover	5		
TH-	136	Drive sleeve of rewind tube	5		
TH-	137	Coupler of wind-up motor	5		
TH-	138	Wind-up motor cover	5		
TH-	139	Rewind bearing	5		
TH-	140				
TH-	141	Left rewind bracket	5		
TH-	142	Right rewind bracket	5		
TH-	143	Left supporting case	5		
TH-	144	Spacer plate	5		
TH-	145	Wind up motor	5	YES	
TH-	146	Wind-up motor capacitor (inside motor)	5		
TH-	147	Power lead	5		
TH-	148	Wind-up wiring board	5		
TH-	149	Potentiometer	5	YES	
TH-	150	Leveling feet	1	YES	

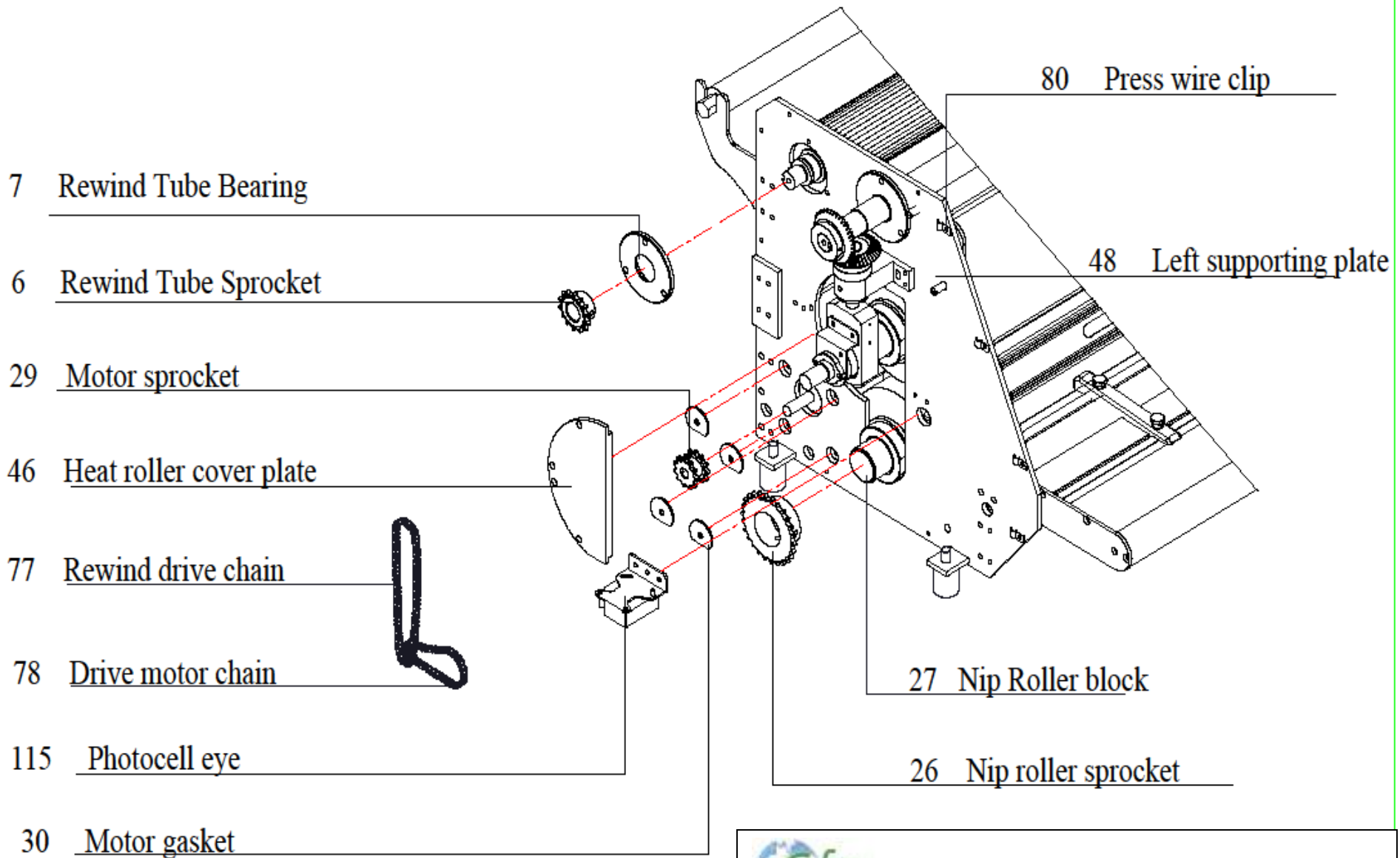


View 1- Frame

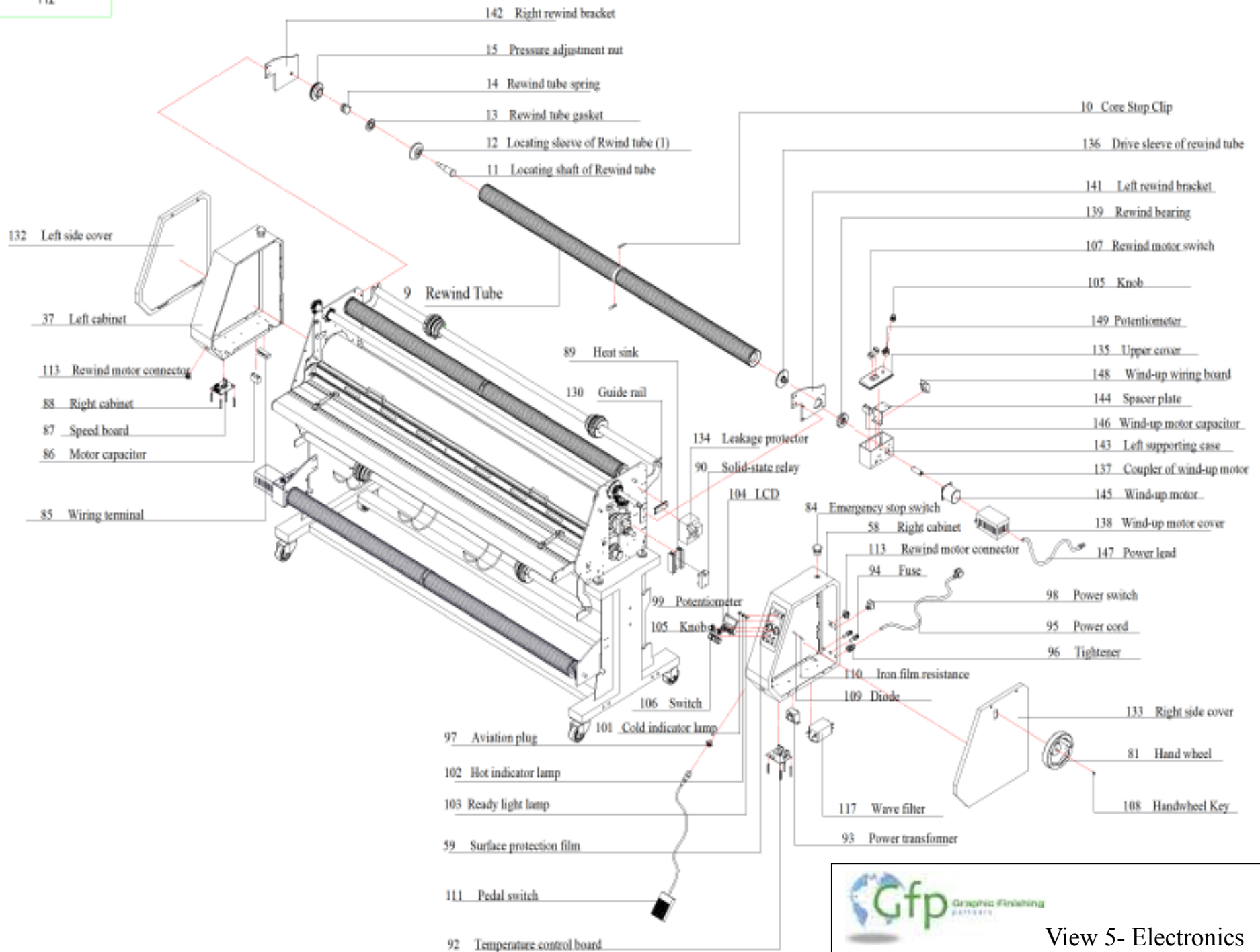




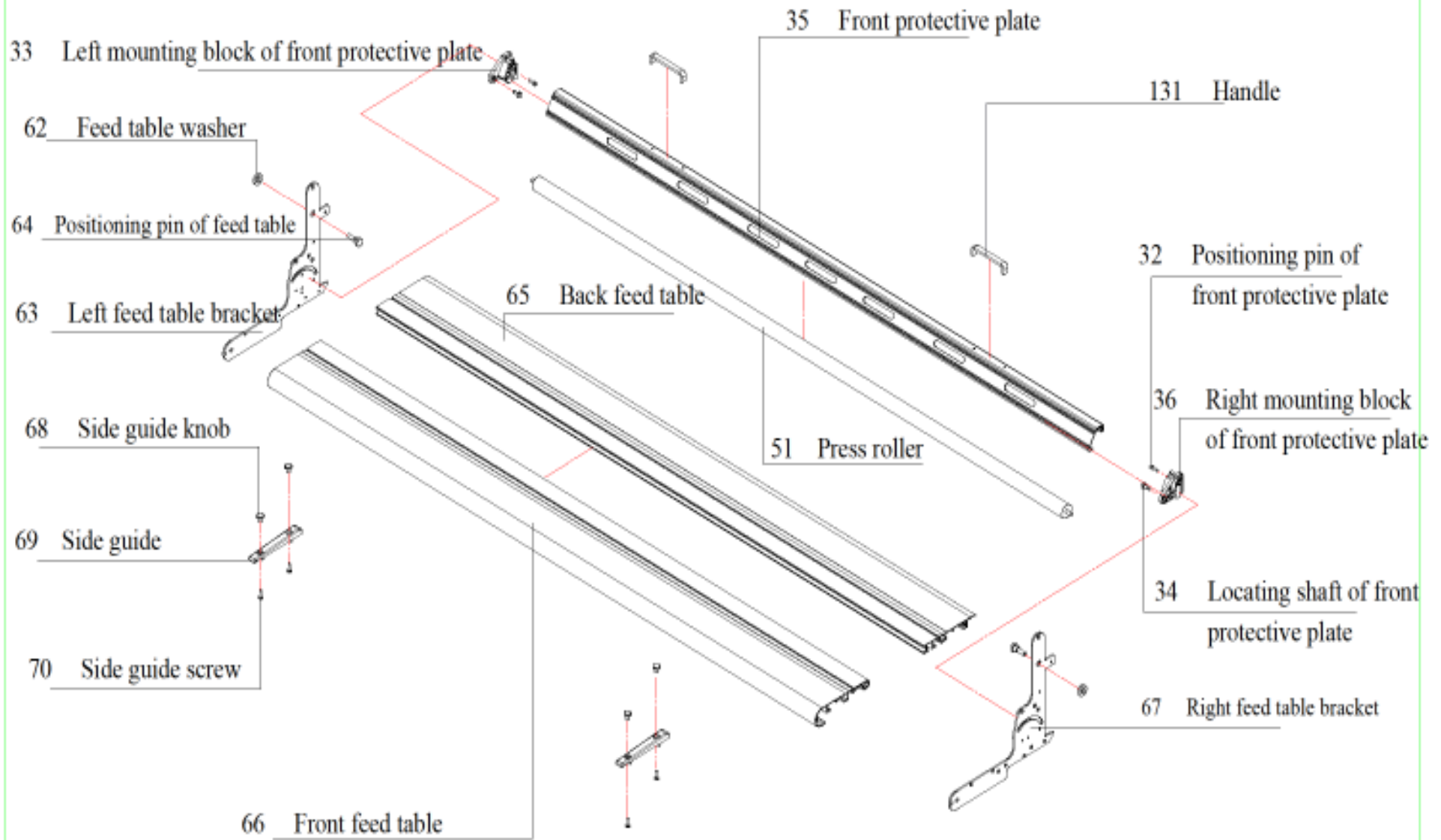
View 3 – Right side frame



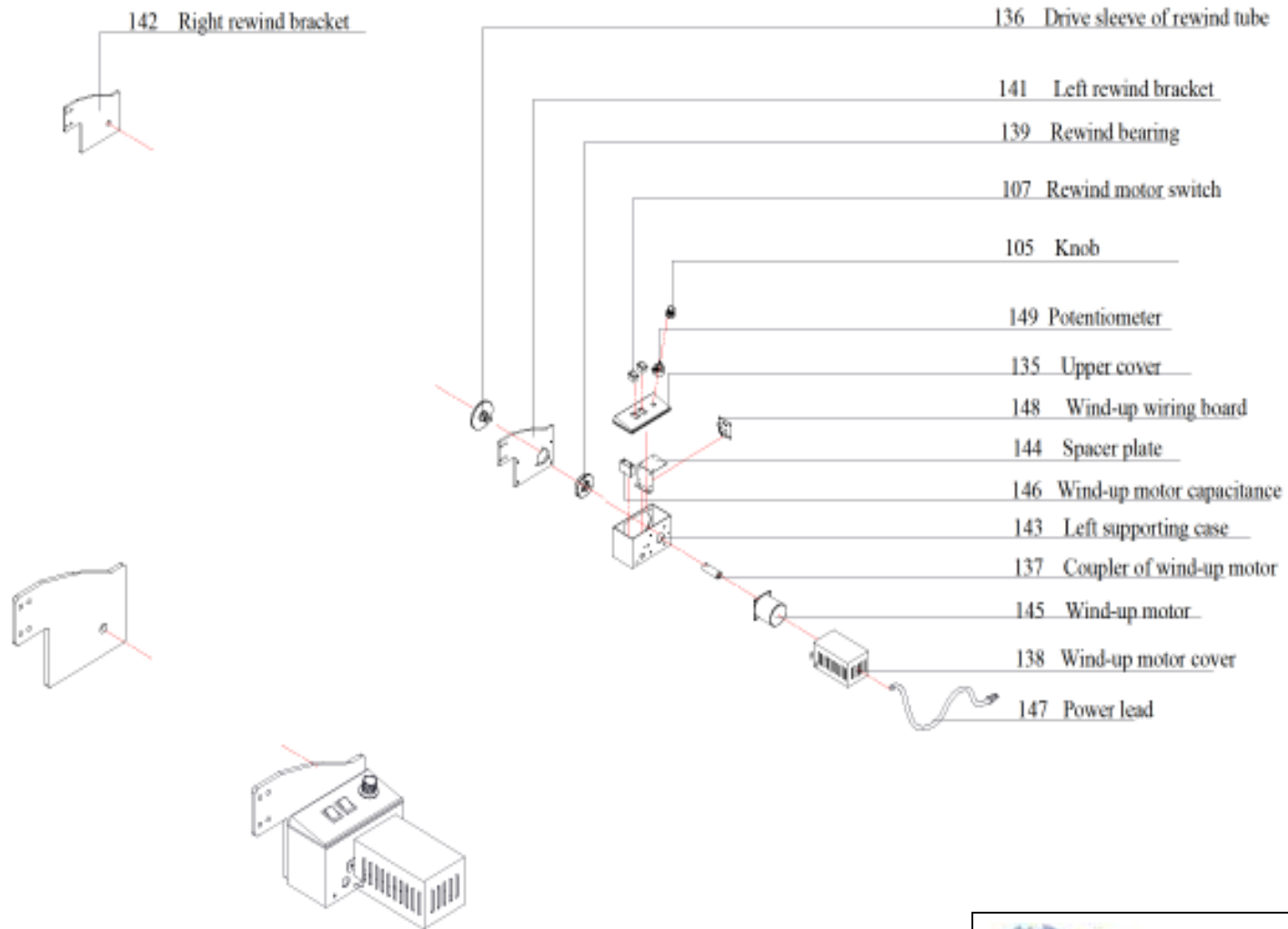

View 4- Left side frame




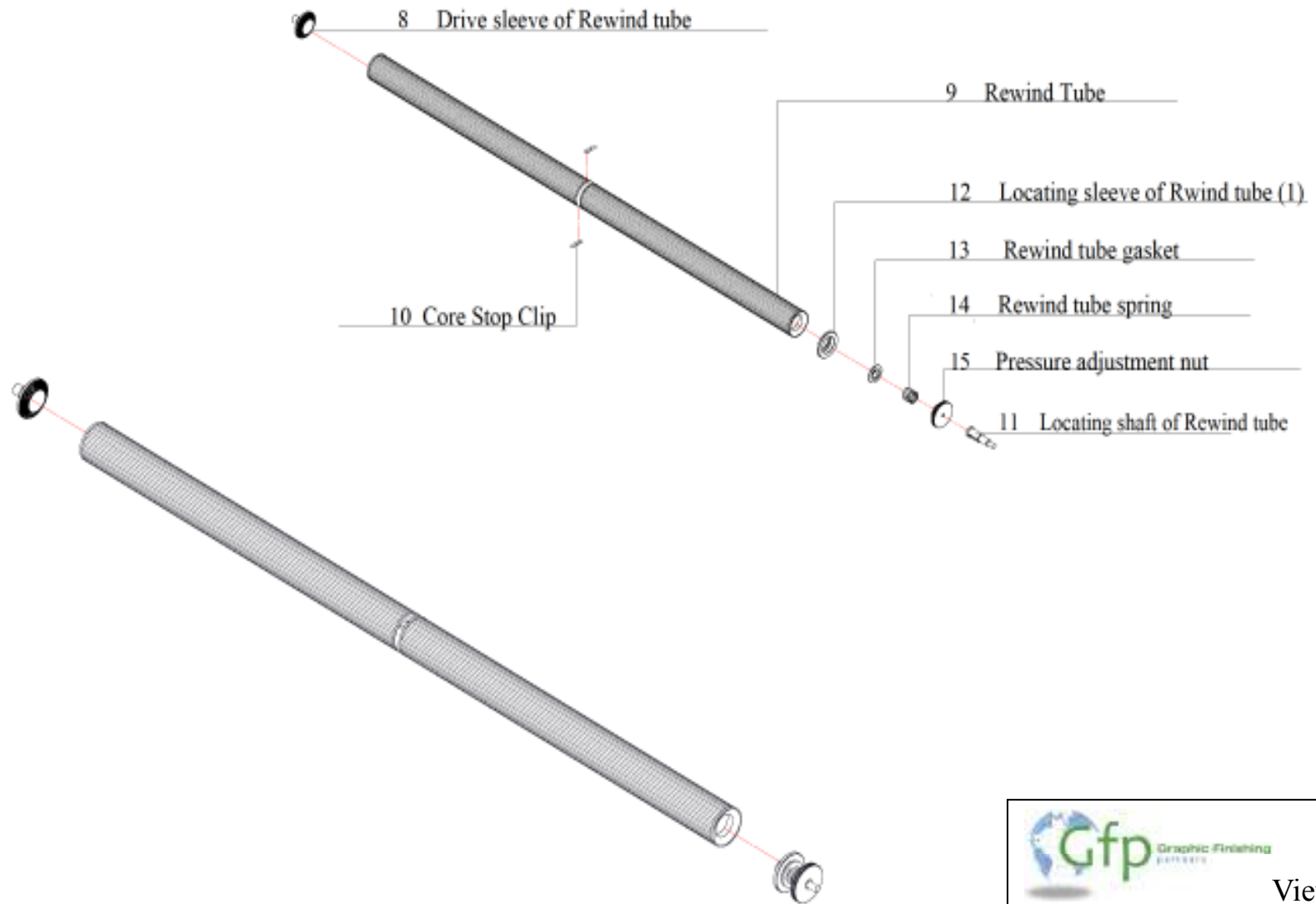
View 5- Electronics




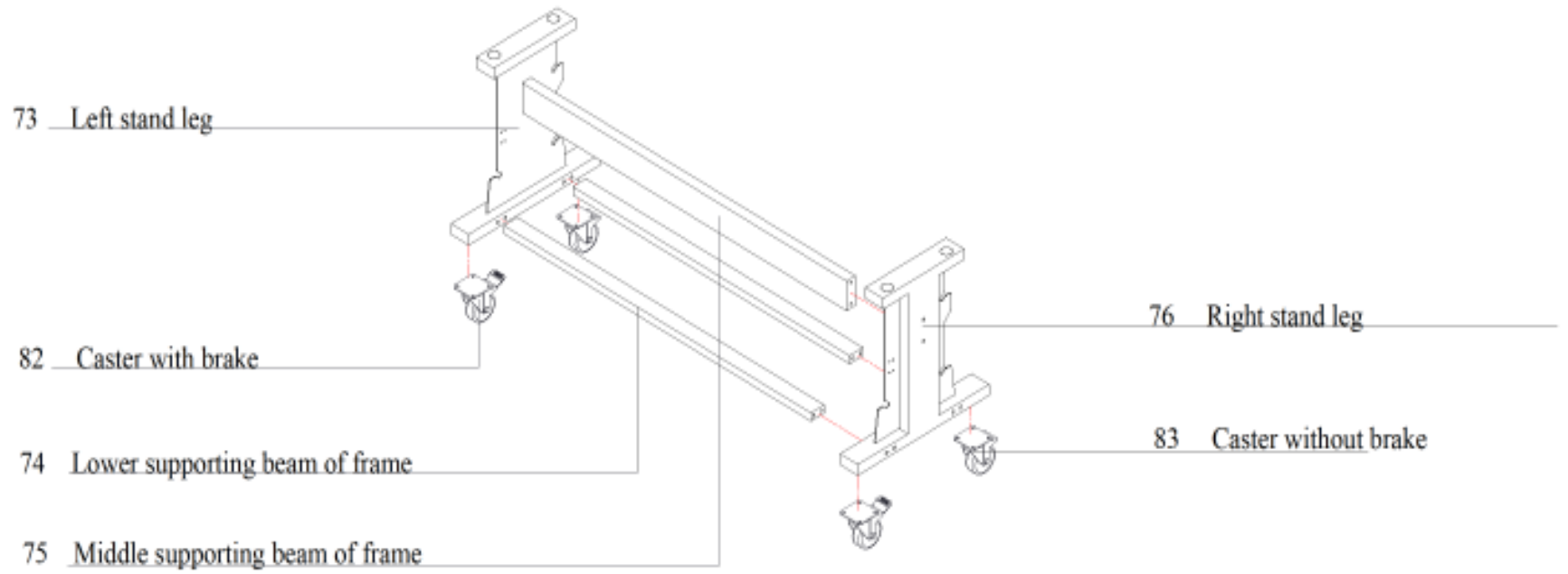
View 6 – Front in feed table

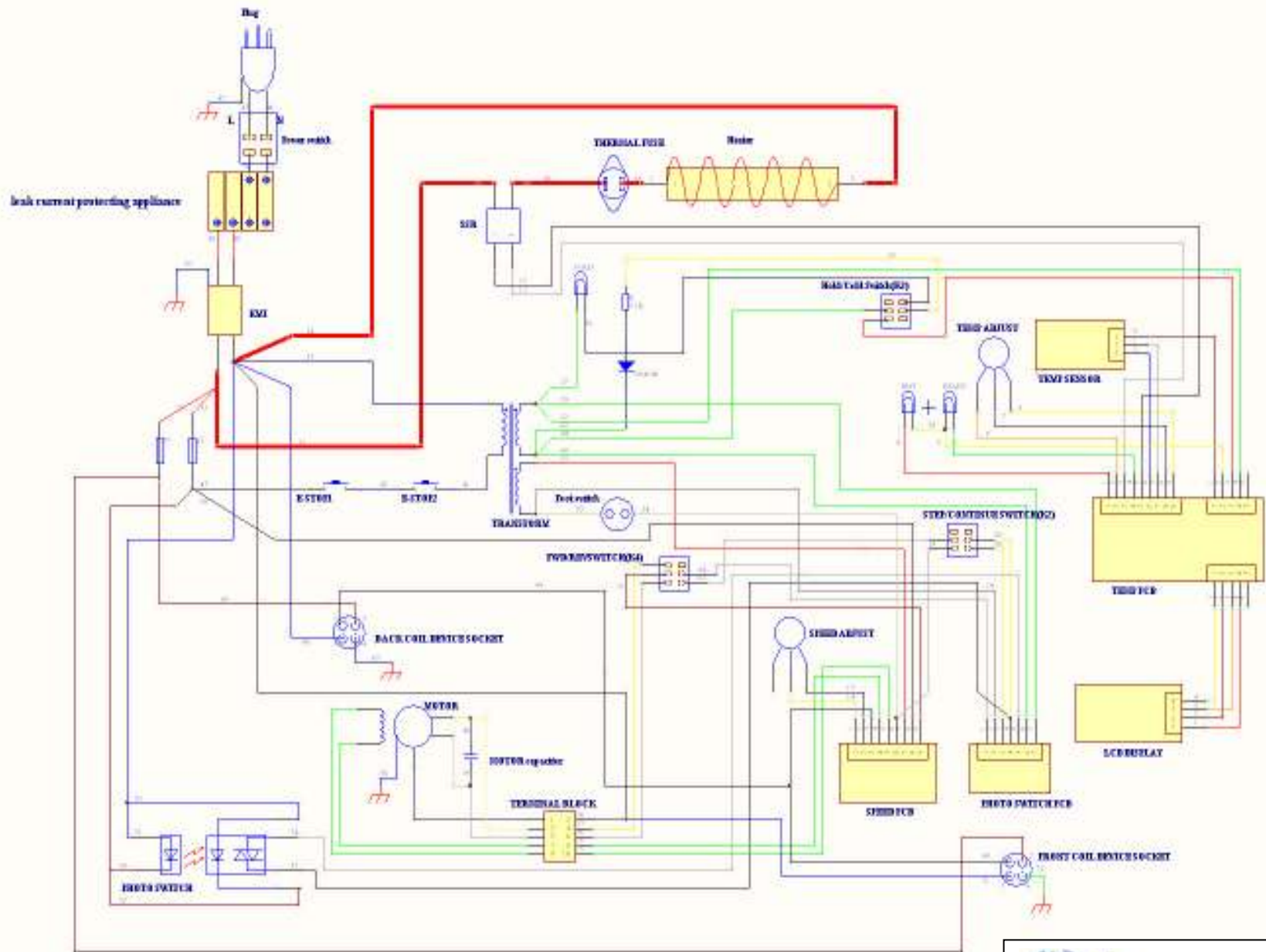
View 7
120 Rewind Motor Assembly



View 8
121 Rewind Tube Assembly



View 9
122 Stand Assembly



Gfp Graphic Finishing
 400 Series
 Wiring Diagram