



## SERVICE MANUAL Gfp 255 C



October 2013

# Table of Contents

	Page
1. Parts list .....	3-5
2. Exploded Drawings	
View 1 - Frame and Stand.....	6
View 2 - Left Side Frame.....	7
View 3 - Right side frame.....	8
View 4 - Stand.....	9
View 5 - Upper Rewind Housing.....	10
3. Wiring Diagram.....	11

## CORRESPONDENCE:

Graphic Finishing Partners LLC  
PO Box 1097  
Maryland Heights, MO. 63043  
800-986-2005  
sales@gfpartnersllc.com  
www.gfpartnersllc.com

## SHIPPING:

Graphic Finishing Partners LLC  
13878 Parks Steed Drive  
Earth City, MO. 63045

## Service Parts

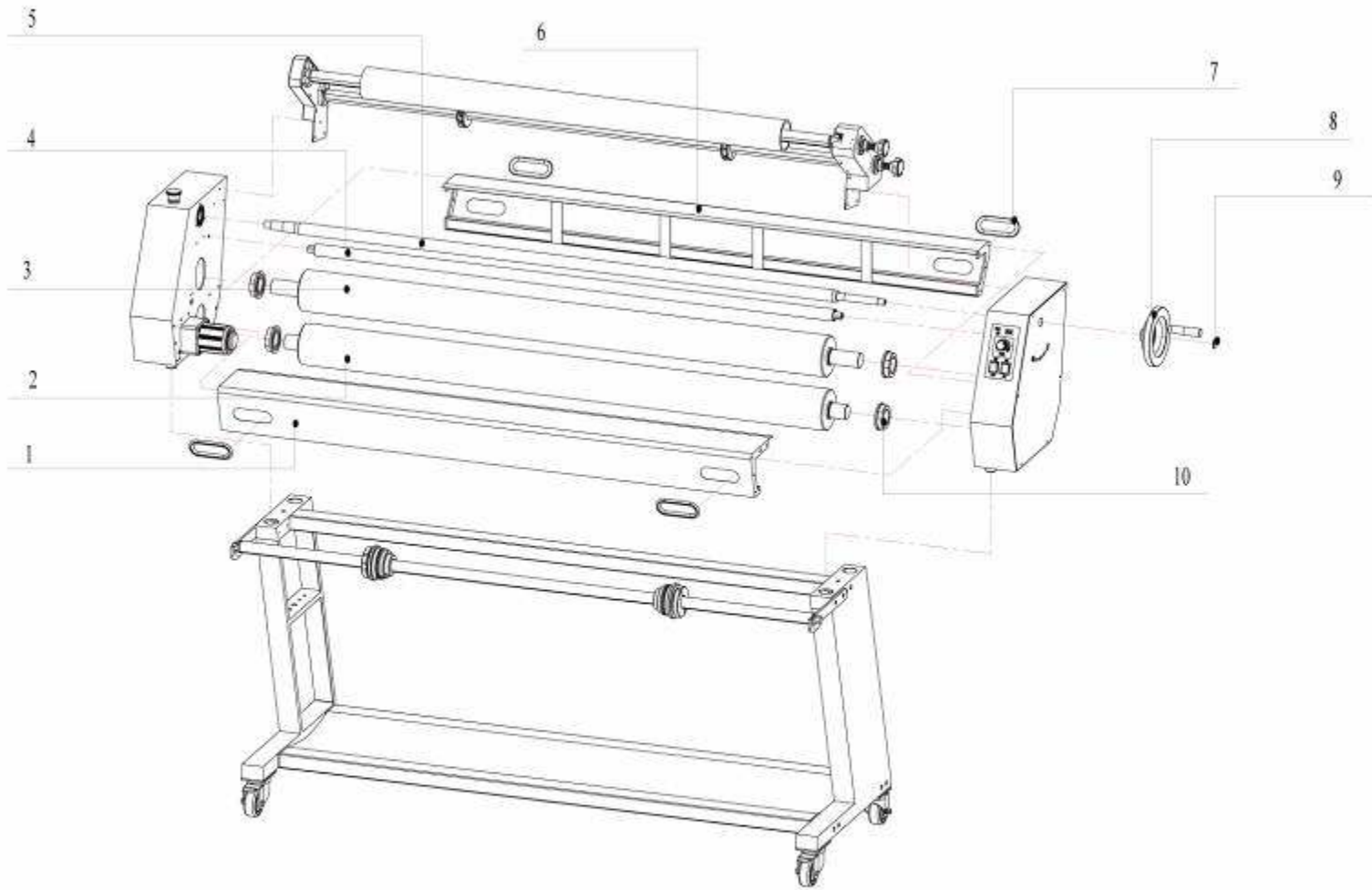
Smooth Finish LLC  
Don Bahr  
455 Bosal Way  
Lavonia,, GA.30553  
770-235-9374  
info@smoothfinish.net

July 2012

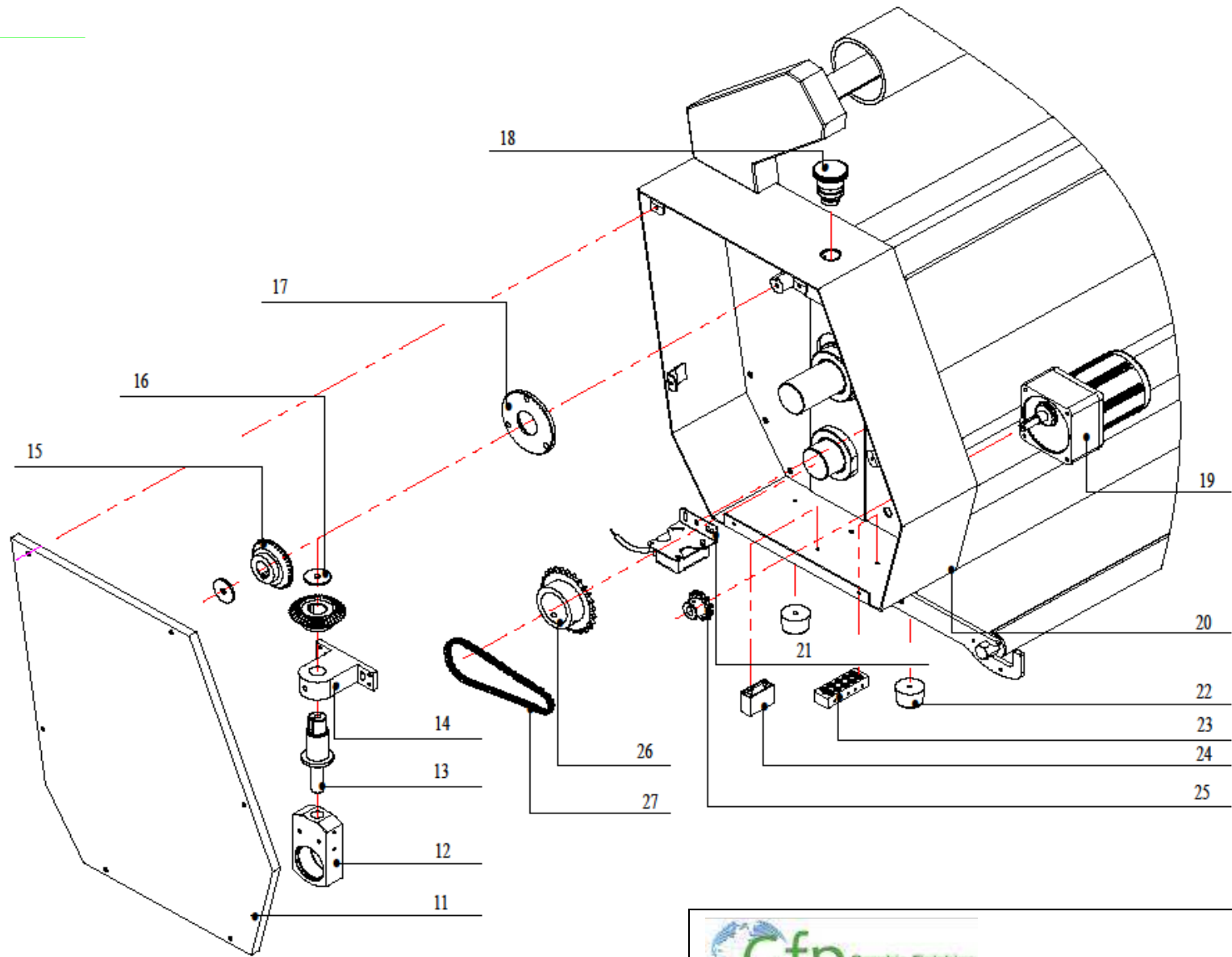
<b>DRAWING NUMBER</b>	<b>PART NUMBER</b>	<b>DESCRIPTION</b>	<b>VIEW NUMBER</b>	<b>STOCK ITEM</b>
01	55C-1	Front cross member	1	
02	55C-2	Bottom nip roller	1	YES
03	55C-3	Top nip roller	1	YES
04	55C-4	Idler bar	1	
05	55C-5	Linkage pressure adjustment shaft	1	
06	55C-6	Rear cross member	1	
07	TH-24	Hand protection rubber cover	1	
08	TH-81	Hand wheel	1	YES
09	TH-108	Hand wheel key	1	YES
10	TH-18	Bearing sleeve	1	YES
11	55C-11	Left side cover	1	
12	TH-41	Pressure regulating bearing seat	2	YES
13	TH-40	Pressure regulating locating shaft	2	YES
14	TH-39	Pressure regulating support seat	2	YES
15	TH-16	Angle gear	2	YES
16	TH-04	Stopper	2	YES
17	TH-07	Rewind tube bearing	2	YES
18	TH-84	Emergency switch	2	YES
19	55C-19	Drive Motor	2	YES
20	55C-20	Left side frame	2	
21	TH-115	Photocell eye	2	YES
22	C-11	Rubber Foot	2	
23	TH-85	Wiring terminal	2	YES
24	55C-24	Capacitor	2	Included with motor
25	55C-25	Motor Sprocket	2	YES
26	55C-26	Nip roller sprocket	2	YES
27	55C-27	Chain	2	YES
28	55C-28	Switch	3	YES

<b>DRAWING NUMBER</b>	<b>PART NUMBER</b>	<b>DESCRIPTION</b>	<b>VIEW NUMBER</b>	<b>STOCK ITEM</b>	
29	C-17	Knob	3	YES	
30	55C-30	On lamp	3	YES	
31	55C-31	Right side frame	3		
32	TH-99	Potentiometer	3		
33	TH-98	Power Switch	3	YES	
34	C-20	Wave filter	3		
35	C-21	Power cord	3	YES	
36	TH-94	Fuse	3	YES	
37	C-22	Tightener	3		
38	55C-38	Aviation plug	3		
39	TH-87	Speed control board	3	YES	
40	55C-40	Photocell eye control board	3	YES	
41	55C-41	Transformer	3		
42	TH-111	Pedal switch	3	YES	
43	55C-43	Right side cover	3		
44	55C-44	Left stand side frame	4		
45	55C-45	Stand cross member	4		
46	55C-46	Lower supply shaft	4		
47	C-30	Brake pad	4	YES	
48	TH-03	Film core adaptor/brake	4	YES	
49	55C-49	Right stand side frame	4		
50	55C-50	Supply roll bracket	4	YES	
51	55C-51	Cloth tray	4		
52	55C-52	Velcro straps	4		
53	55C-53	Caster	4		
54	55C-54	Caster with brake	4		
55	55C-55	Cardboard rewind tube	5		
56	55C-56	Upper shaft brakes	5	YES	
57	55C-57	Core clip	5	YES	
58	55C-58	Upper shaft	5		

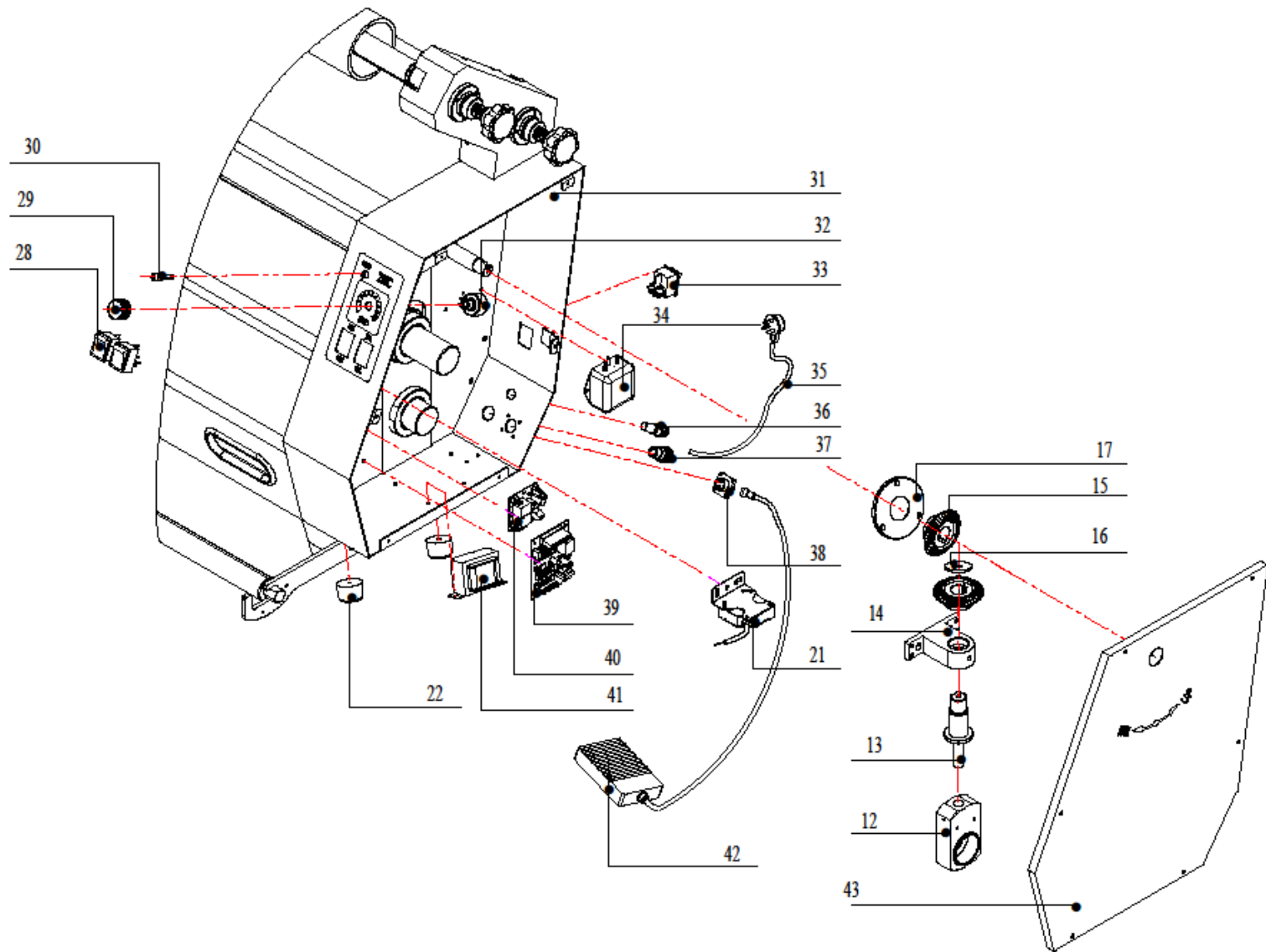
<b>DRAWING NUMBER</b>	<b>PART NUMBER</b>	<b>DESCRIPTION</b>	<b>VIEW NUMBER</b>	<b>STOCK ITEM</b>	
59	55C-59	Left rewind housing cover	5		
60	55C-60	Left housing side plate	5		
61	55C-61	Left shaft support	5		
62	55C-62	Brake adjustment knob	5		
63	55C-63	Spring	5		
64	55C-64	Bearing sleeve	5		
65	55C-65	Bearing seat	5		
66	55C-66	Right rewind housing cover	5		
67	55C-67	Top friction locating plate	5		
68	55C-68	Friction disc of unwind roller	5		
69	55C-69	Top friction plate	5		
70	55C-70	Small chain sprocket	5		
71	55C-71	Rewind chain	5		
72	55C-72	Top drive shaft	5		
73	55C-73	Inner bearing seat	5		
74	55C-74	Inner bearing seat bracket	5		
75	55C-75	Right housing side plate	5		
76	55C-76	Right shaft support	5		
77	55C-77	Bottom drive shaft	5		
78	55C-78	Large chain sprocket	5		
79	55C-79	Bottom friction plate	5		
80	55C-80	Bottom friction locating plate	5		
81	55C-118	Mandrel/ brake assembly		YES	
82	55C-119	Unwind shaft/brake assembly		YES	



View 1- Frame and stand

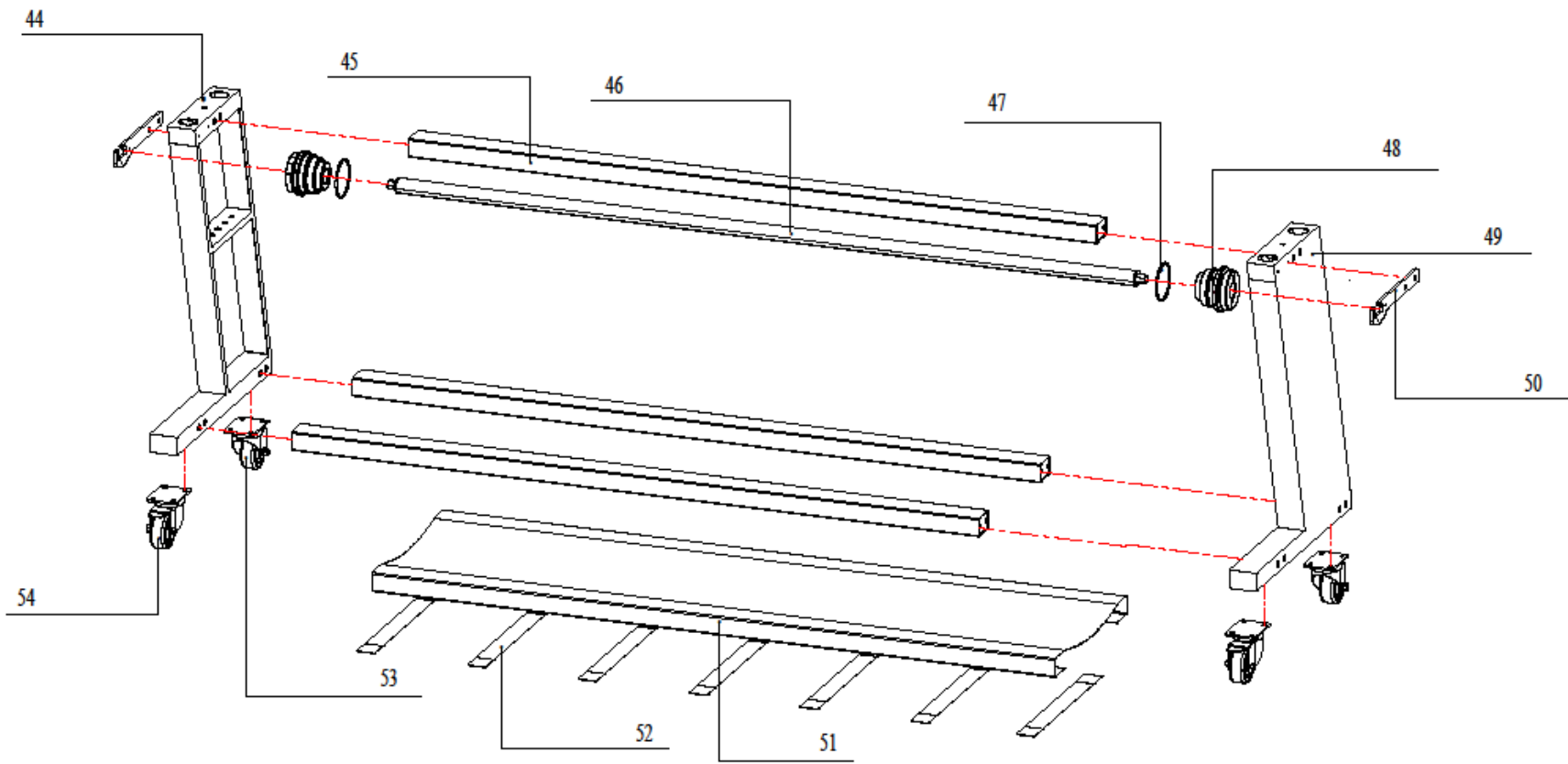


View 2 – Left side frame

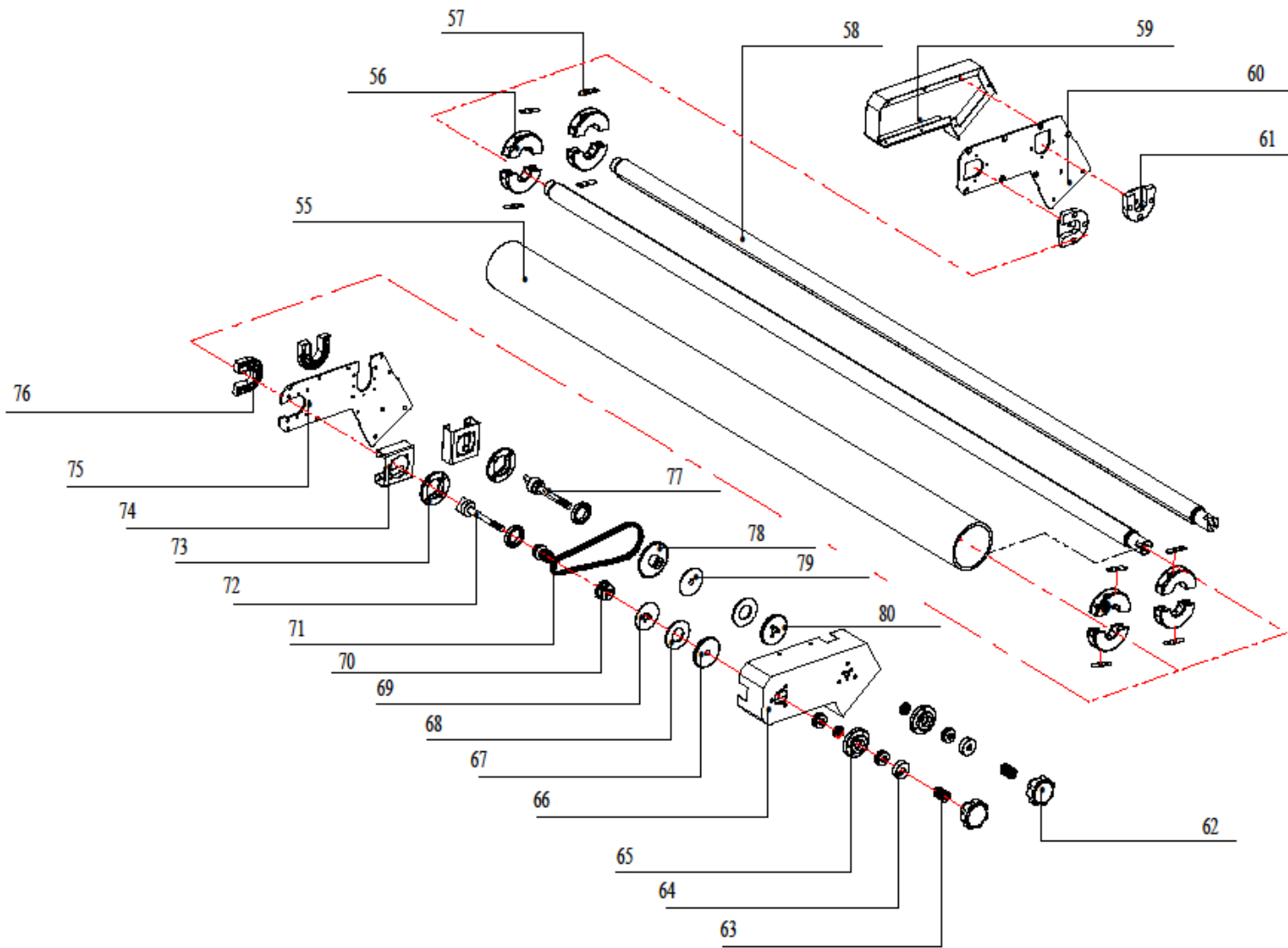



View 3 –Right side frame

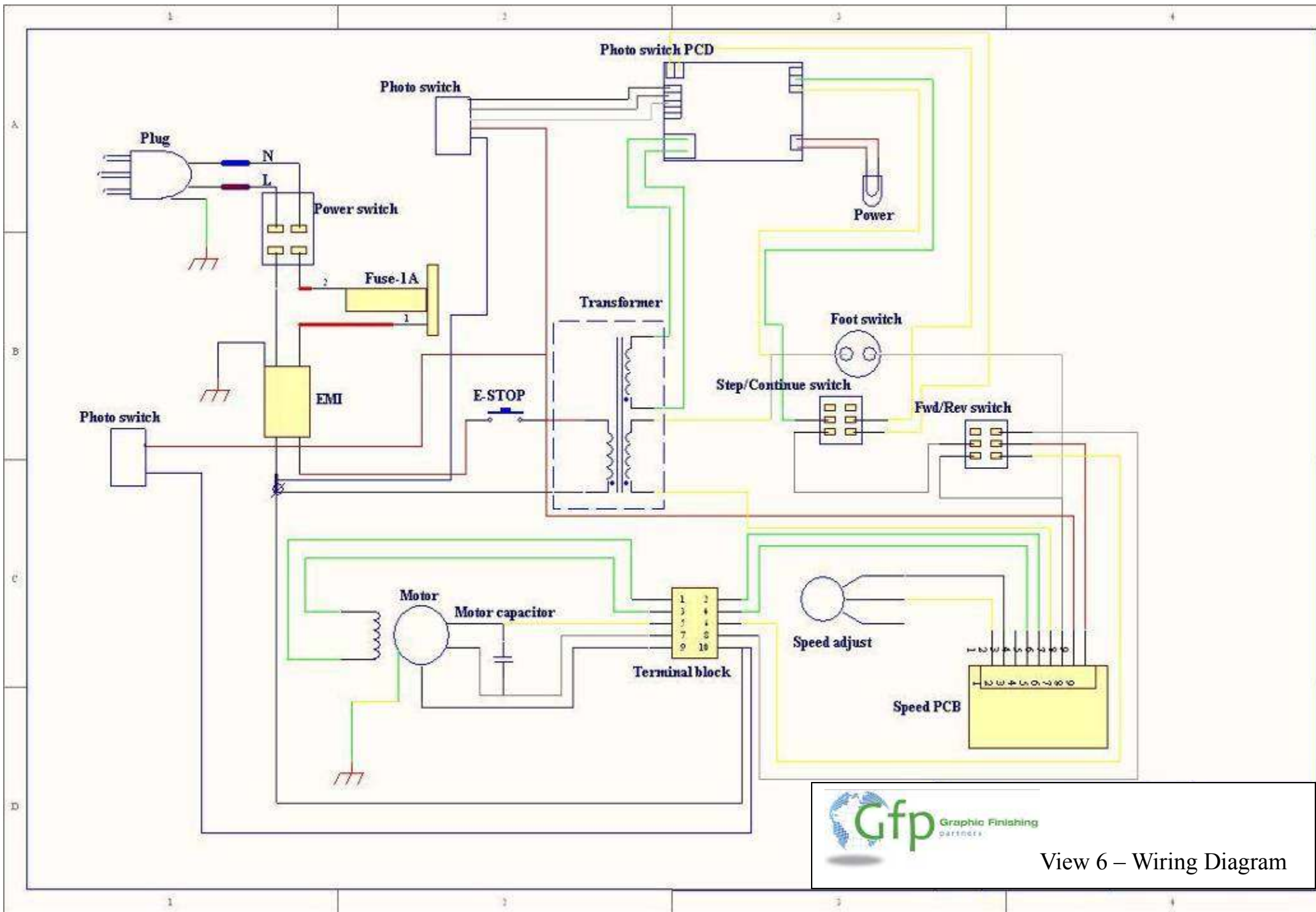




View 4 – Stand

View 5 – Upper Rewind housing



View 6 – Wiring Diagram