



## SERVICE MANUAL Gfp 230 C



October 2013

# Table of Contents

	Page
1. Parts list .....	3-5
2. Exploded Drawings	
View 1 - Frame .....	6
View 2 - Frame and stand.....	7
View 3 - Left side frame.....	8
View 4 - Right side frame.....	9
3. Wiring Diagram.....	10

## CORRESPONDENCE:

Graphic Finishing Partners LLC  
PO Box 1097  
Maryland Heights, MO. 63043  
800-986-2005  
sales@gfpartnersllc.com  
www.gfpartnersllc.com

## SHIPPING:

Graphic Finishing Partners LLC  
13878 Parks Steed Drive  
Earth City, MO. 63045

## Service Parts

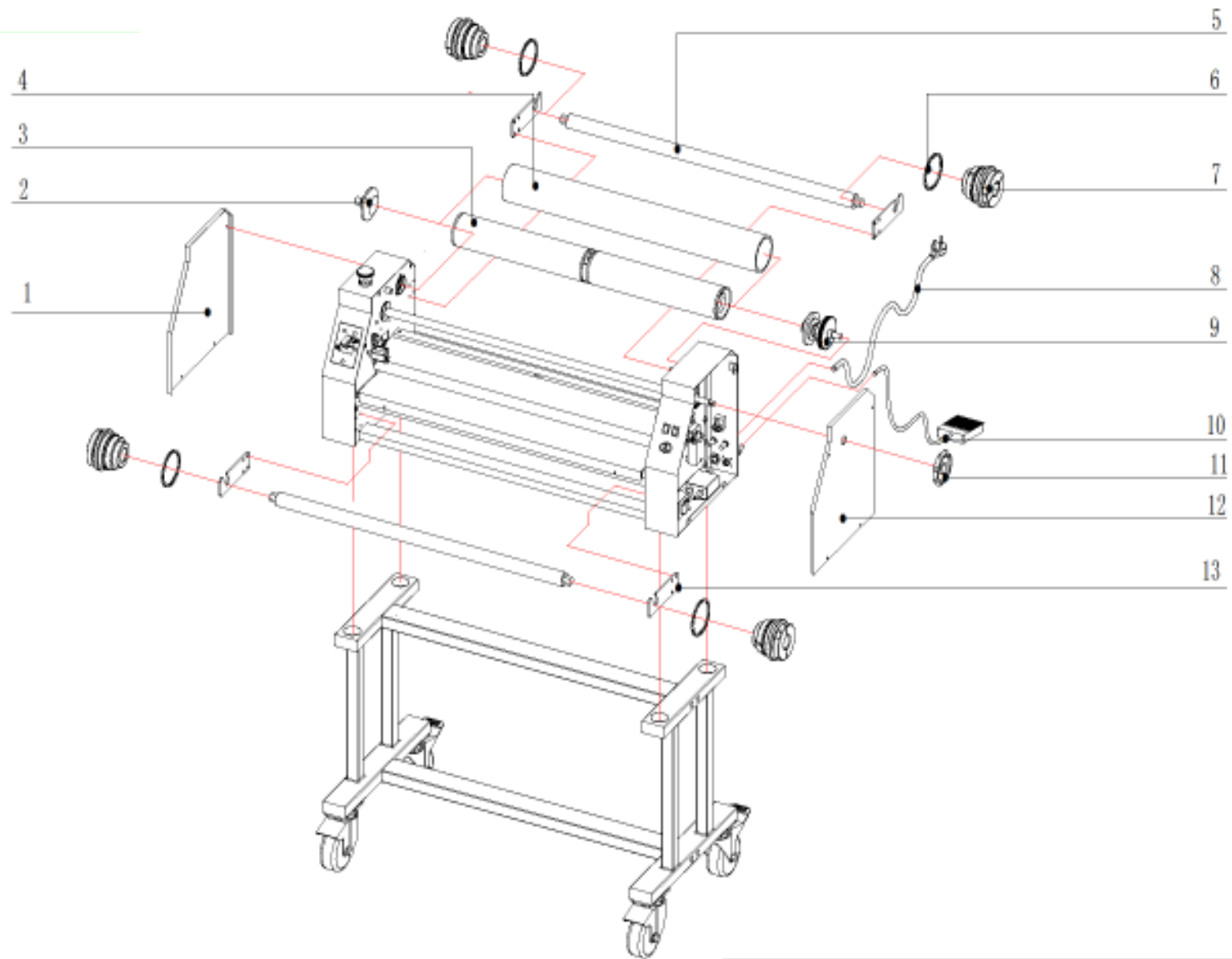
Smooth Finish LLC  
Don Bahr  
455 Bosal Way  
Lavonia,, GA.30553  
770-235-9374  
info@smoothfinish.net

July 2012

DRAWING NUMBER	PART NUMBER	DESCRIPTION	VIEW NUMBER	STOCK ITEM
01	30C-1	Left side cover	1	
02	30C-2	Friction disc of liner rewind roller	1	
03	30C-3	Liner rewind roller	1	YES
04	30C-4	Cardboard rewind tube	1	
05	30C-5	Unwind shaft	1	
06	C-30	Brake pad	1	
07	TH-3	Film core adaptor/ brake	1	
08	C-21	US power cord	1	
09	30C-9	Pressure adjustment assembly	1	YES
10	TH-111	Pedal switch	1	YES
11	30C-11	Pressure adjustment hand wheel	1	YES
12	30C-12	Right side cover	1	
13	30C-13	Unwind roller bracket	1	YES
14	30C-14	Cross member	2	
15	TH-82	Caster with brake	2	
16	TH-83	Caster without brake	2	
17	30C-17	Stand legs	2	
18	30C-18	Bottom support beam	2	
19	30C-19	Top support beam	2	
20	30C-20	Feed table	2	
21	30C-21	Left table bracket	2	
22	30C-22	Feed Table lock	2	
23	30C-23	Feed table positioning pin	2	
24	30C-24	Washer	2	
25	30C-25	Left side plate	2	
26	30C-26	Left side plate cover	2	
27	30C-27	Drive motor	2	YES
28	30C-28	Linkage pressure adjustment shaft	2	

<b>DRAWING NUMBER</b>	<b>PART NUMBER</b>	<b>DESCRIPTION</b>	<b>VIEW NUMBER</b>	<b>STOCK ITEM</b>	
29	30C-29	Back supporting plate	2		
30	30C-30	Top roller	2	YES	
31	30C-31	Bottom roller	2	YES	
32	30C-32	Nip protection roller	2		
33	30C-33	Bearing seat	2	YES	
34	30C-34	Stop pin of feed table	2		
35	30C-35	Right side plate	2		
36	C-36	Rubber foot	2		
37	30C-37	Right table bracket	2		
38	30C-38	Stop piece of angle gear	3	YES	
39	30C-39	Angle gear	3	YES	
40	30C-40	Motor sprocket	3	YES	
41	30C-41	Flange plate of pressure adjustment	3	YES	
42	30C-42	Stop piece of sprocket wheel	3	YES	
43	30C-43	Large sprocket	3	YES	
44	30C-44	Flange plate of friction disc	3	YES	
45	30C-45	Left side frame	3		
46	TH-84	Emergency switch	3	YES	
47	30C-47	Capacitor (Included with motor)	3		
48	TH-85	Wiring terminal	3	YES	
49	30C-49	Drive motor chain	3	YES	
50	30C-50	Rewind chain	3	YES	
51	30C-51	Pressure adjustment bolt	3	YES	
52	30C-52	Pressure adjustment seat	3	YES	
53	30C-53	Pressure-regulating bearing seat	3	YES	
54	TH-87	Speed control board	4	YES	
55	C-55	Filter	4		
56	TH-99	Potentiometer	4		
57	30C-57	110v transformer	4		
58	C-58	Speed knob	4	YES	

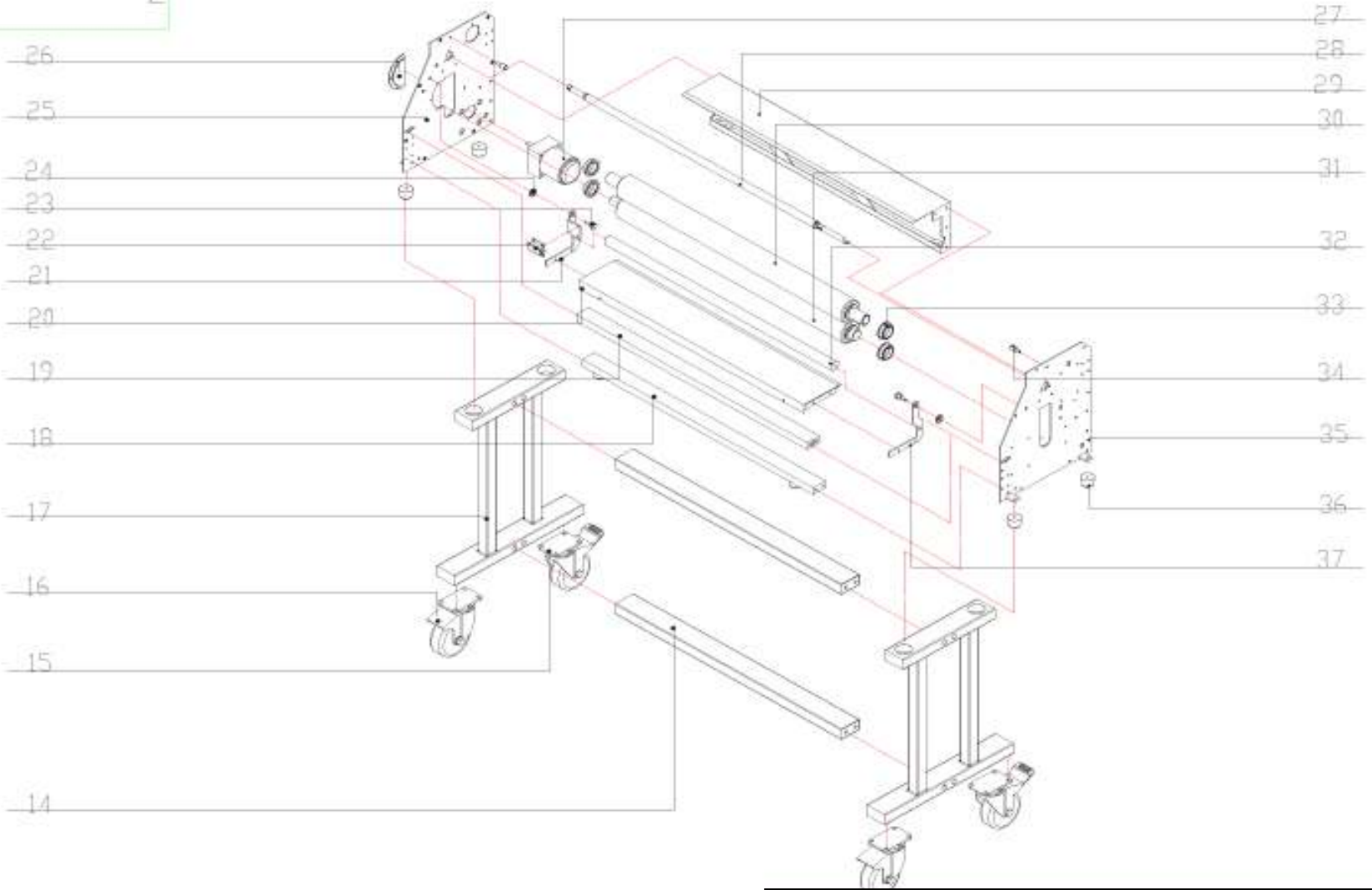




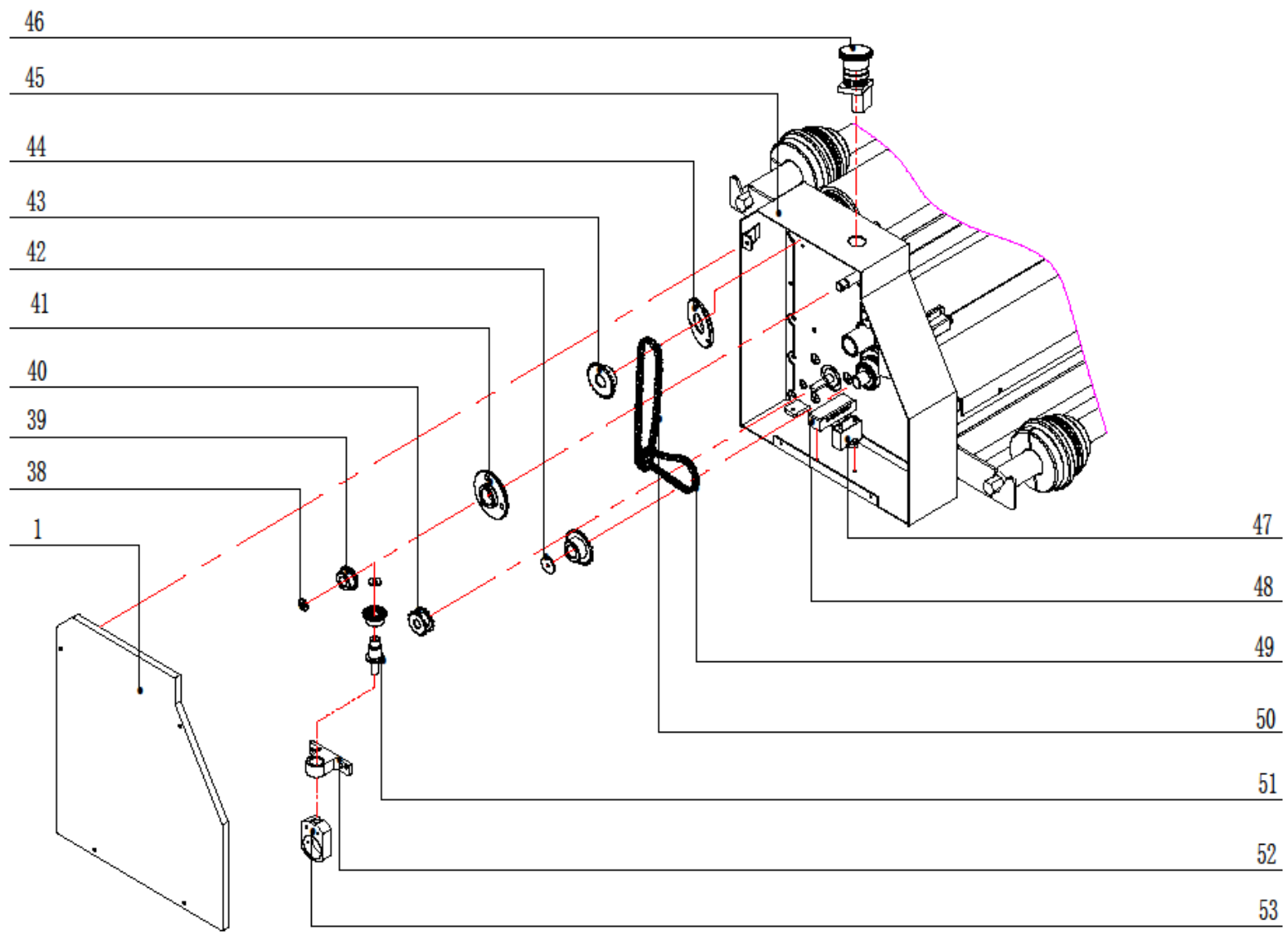

Gfp Graphic Finishing partners

View 1- Frame

L

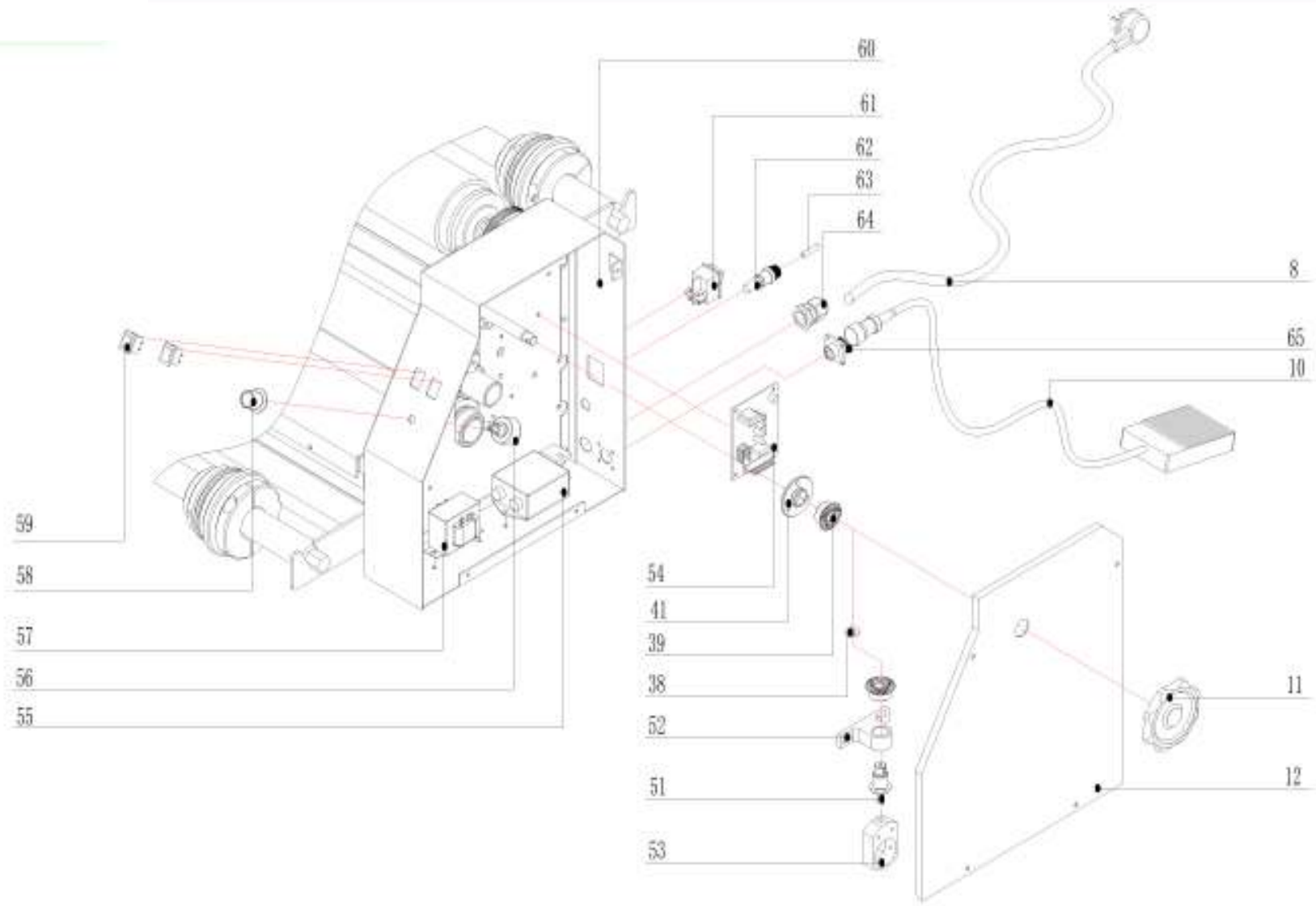


View 2 – Frame and stand



View 3 –Left side frame





View 4 – Right side frame

